

Certificate no. 4001132

**TB126**  
**PRODUCT DATA**  
**054/212570**  
**PA05/05325**

Whitting Valley Road, Old Whittington, Chesterfield, Derbyshire S41 9EY UK  
 Telephone: +44 (0) 1246 264260 Fax: +44 (0) 1246 455281  
 Web: www.trans-tronic.co.uk E mail: sales@trans-tronic.co.uk

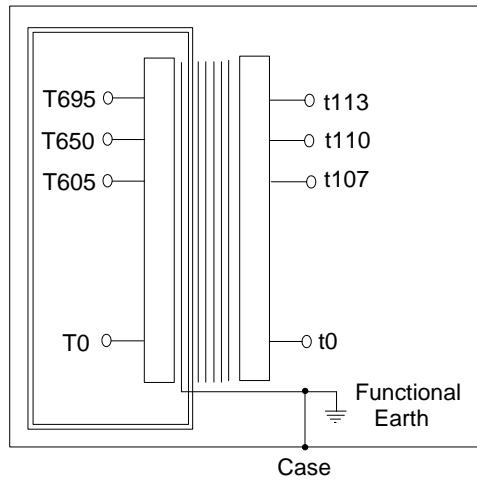
**COIL WINDING – TRANSFORMER DESIGN & MANUFACTURE**

Description:

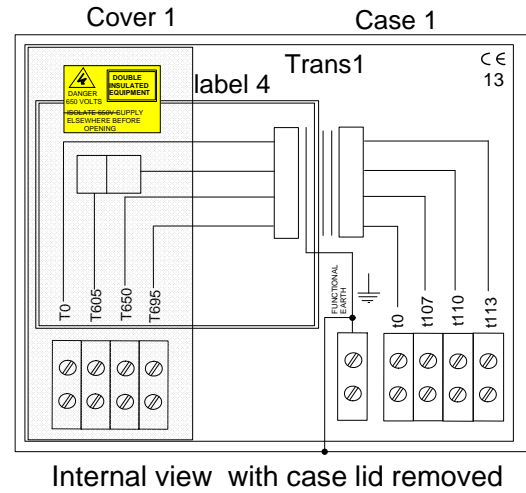
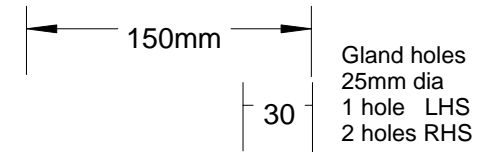
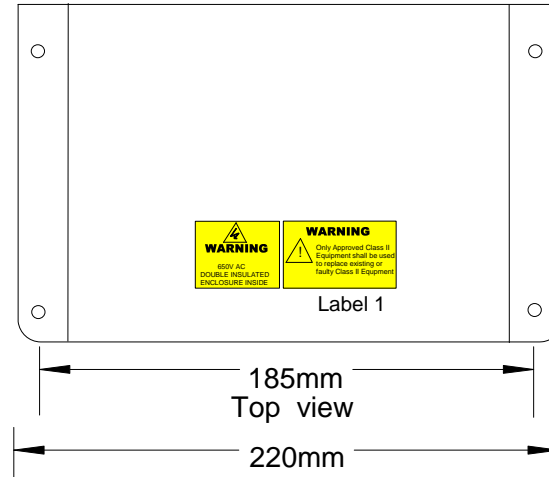
**Class II Hybrid FSP Isolating Transformer**  
**NR/L2/SIG/30007 650/110V 250VA**



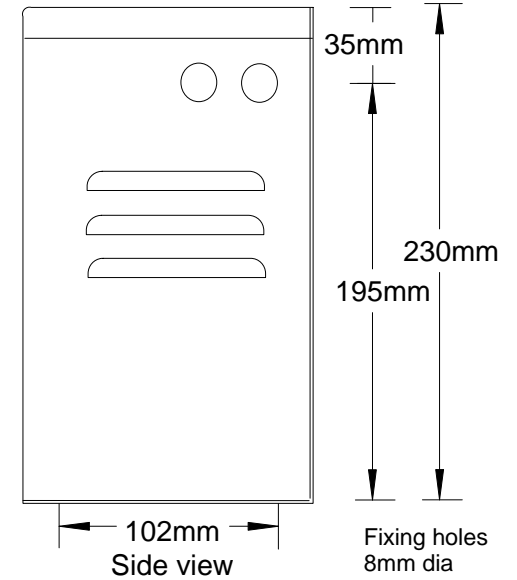
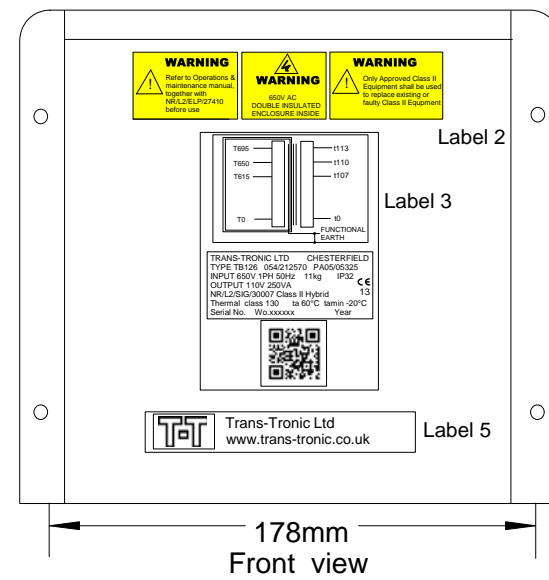
Dimensions	220x150x 230mm high 11Kg	Colour	BS381c shade 632 Dark Admiralty Grey
General arrangement drawing	GA-TB126 overleaf	O&M Manual	Trans-Tronic ClassII-Hybrid-FSP- Tx O&M
Primary (Input) ClassII	T0-T605-T650-T695	Secondary (output) ClassI	t0-t107-t110-t113
Rating Full load	250VA	Intermittent	300VA for 15 minutes in each hour , 250VA for remaining 45 minutes
Primary terminals	Screw up clamp 0.2-6mm <sup>2</sup>	Secondary terminals	Screw up clamp 0.5-10mm <sup>2</sup>
Functional earth	Screw up clamp 0.5-10mm <sup>2</sup>	Enclosure	IP32
Efficiency	92% @ 80% load	Regulation	4.9%
No load loss	8 watts	Impedance	5.1%
Primary resistance @ 20°C	47.1 ohms @ 650V	Full load loss	22 watts
Primary Inductance	58mH @ 650V	Secondary resistance @ 20°C	0.91 ohms @ 110V
Input current at full load rating	0.45A @ 605V 0.42A @ 650v 0.39A @ 695V	Secondary Inductance	1.8mH @ 110V
Maximum Input current at intermittent rating	0.54A @ 605V 0.50A @ 650v 0.47A @ 695V	Output current at full load rating	2.28A
Peak inrush current	9.8x FLC (4.1A at 650V)	Maximum output current at intermittent rating	2.73A
Prospective short circuit output current @ 20°C	42A for 5 seconds	I <sup>2</sup> t	0.13 A <sup>2</sup> s
Insulation resistance (500v)	Primary to core >100M ohms Secondary to core >100M ohms Primary to secondary >100M ohms	X/R ratio	0.25
Recommended fuse Protection	BS88 & 10x38 gG IEC 60269-1 &-2	Dielectric strength	Primary to core 5.2Kv Secondary to core 2.8Kv Primary to secondary 5.2Kv
Operational temperature range	-20°C to +60°C	Impulse withstand	8KV
Altitude	<2000 metres above sea level	Humidity	Up to 100% RH
		Issue 5	01/08/2013



24mm  
102mm  
24mm



43mm  
152mm  
35mm



Item	Description	Part No.
Case 1	Transformer case	21-CASE-P2DG
Trans 1	650/110v 250va classII	TT4347
Cover 1	P2 Poly carb	21-P2-COV1
Cover 2	P2 Mylar side layer	21-P2-COV2
Label 1	650VClassIIP2top	02-class2-650P2top
Label 2	650VClassIIP2 front	02-Class2-650P2Front
Label 3	Circuit diagram + Rating plate	TB126CD+RP
Label 4	650VClassII internal	02-class2-650int
Label 5	Trans-Tronic	02-trans-tronic

**Trans-Tronic Ltd**  
Whitting Valley Road, Chesterfield, S41 9EY  
Tel: 01246 264260 Fax: 01246 455281

TITLE GA drawing for ClassII Hybrid FSP Isolating transformer  
650/110V 250VA TB126 054/212570 PA05/05325

SIZE <b>A4</b>	DATE 01/08/2013	DWG NO <b>A4-TB126-GA</b>	REV <b>5</b>
SCALE NTS		SHEET 1 of 1	