



Certificate no. 4001132

TB123
PRODUCT DATA
054/212576
PA05/05325

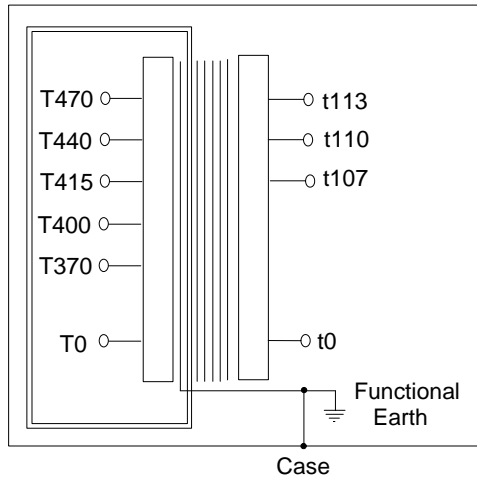
Whitting Valley Road, Old Whittington, Chesterfield, Derbyshire S41 9EY UK
 Telephone: +44 (0) 1246 264260 Fax: +44 (0) 1246 455281
 Web: www.trans-tronic.co.uk E mail: sales@trans-tronic.co.uk

COIL WINDING – TRANSFORMER DESIGN & MANUFACTURE

Description:	Class II Hybrid FSP Isolating Transformer NR/L2/SIG/30007 400-415-440/110110V 500VA
--------------	--



Dimensions	270x187x 256mm high	Weight	17Kg	Colour	BS381c shade 632 Dark Admiralty Grey
General arrangement drawing	GA-TB123 overleaf		O&M Manual :Trans-Tronic ClassII-Hybrid-FSP- Tx O&M		
Primary (Input)	ClassII T0-T370-T400-T415-T440-T470		Secondary (output)	ClassI t0-t107-t110-t113	
Rating	Full load 500VA Intermittent 600VA for 15 minutes in each hour , 500VA for remaining 45 minutes				
Primary terminals	Screw up clamp 0.2 -6mm ²		Secondary terminals	Screw up clamp 0.5-10mm ²	
Functional earth	Screw up clamp 0.5-10mm ²		Enclosure IP32		
Efficiency	93%	Regulation	4.7%	Impedance	5.0%
No Load losses	12 watts		Full load losses 36 watts		
Primary resistance @ 20°C	7.3 ohms @ 400V 7.6 ohms @ 415V 8.0 ohms @ 440V		Secondary resistance @ 20°C 0.51 ohms @ 110V		
Primary Inductance	14.5mH @ 400V		Secondary Inductance 1.0mH @ 110V		
Input current at full load	1.42A @ 370V 1.32A @ 400V 1.26A @ 415V 1.20A @ 440V 1.11A @ 470V		Output current at full load (500VA) 4.54A		
Input current at 120% of full load (15 minutes in each hour)	1.70A @ 370V 1.32A @ 400V 1.26A @ 415V 1.20A @ 440V 1.11A @ 470V		Output current at 120% full load (600VA) 5.45A		
Peak inrush current	8.0x FLC (11.8A at 415V)		I _{2t}	0.81A ² s	X/R ratio 0.34
Prospective short circuit current	@ 20°C 88A for 5 seconds				
Insulation resistance (500v)	Primary to core >100M ohms Secondary to core >100M ohms Primary to secondary >100M ohms		Dielectric strength		Impulse withstand 8KV
			Primary to core 4.7Kv Secondary to core 2.8Kv Primary to secondary 4.7Kv		
Recommended fuse Protection	BS88 & 10x38 gG IEC 60269-1 &-2		2A		
Operational temperature range	-20°C to +60°C		Humidity	Up to 100% RH	
Altitude	<2000 metres above sea level		Issue 4	01/08/2013	



Primary Terminals
0.2-6mm² cable

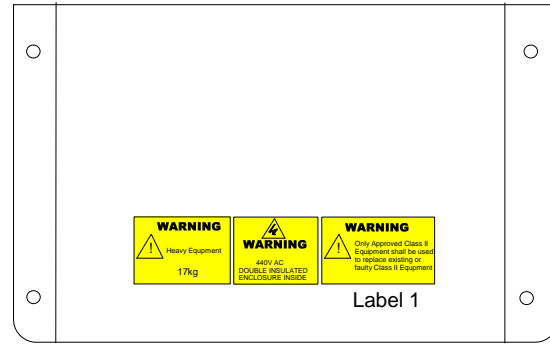
Secondary Terminals
0.5-10mm² cable

Functional Earth
0.5-10mm² cable

35mm

114mm

38mm



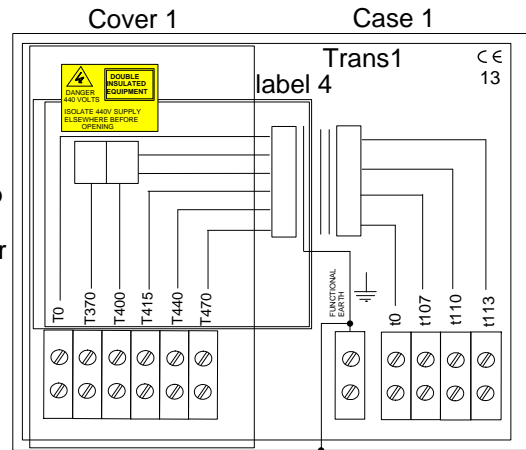
235mm
Top view

270mm

187mm

45

Gland holes
25mm dia
1 hole LHS
2 holes RHS

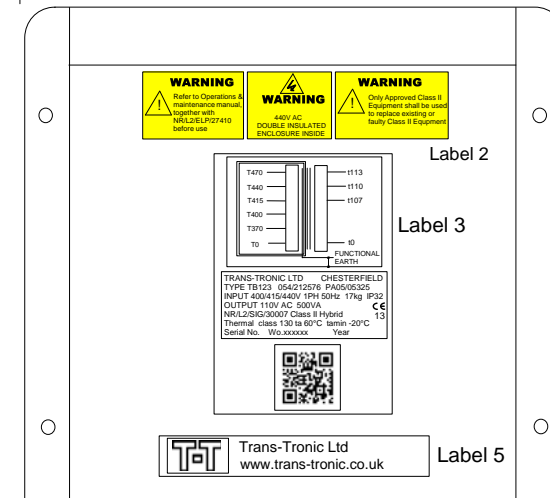


Internal view with case lid removed

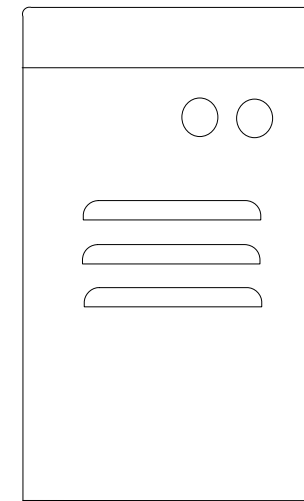
59mm

152mm

45mm



230mm
Front view



114mm
Side view

45mm

256mm

211mm

Fixing holes
8mm dia

Item	Description	Part No.
Case 1	Transformer case	21-CASE-P3DG
Trans 1	440/110v 500va classII	TT4335
Cover 1	P3class2 Poly carb	21-P3-COV1
Cover 2	P3 Mylar side layer	21-P3-COV2
Label 1	440VClassIIP3top	02-class2-440P3top
Label 2	440VClassIIP3front	02-Class2-440P3Front
Label 3	Circuit diagram + Rating plate	TB123 CD+RP
Label 4	440VClassII internal	02-class2-440int
Label 5	Trans-Tronic	02-trans-tronic



Trans-Tronic Ltd Whitting Valley Road, Chesterfield, S41 9EY Tel: 01246 264260 Fax: 01246 455281			
TITLE GA drawing for ClassII Hybrid FSP Isolating transformer 400-415-440V/110V 500VA 054/212576 PA05/05325			
SIZE A4	DATE 01/08/2013	DWG NO A4-TB123-GA	REV 5
SCALE NTS	SHEET 1 of 1		