

Certificate no. 4001132

**TB095**  
**PRODUCT DATA**  
**054/212577**  
**PA05/05325**

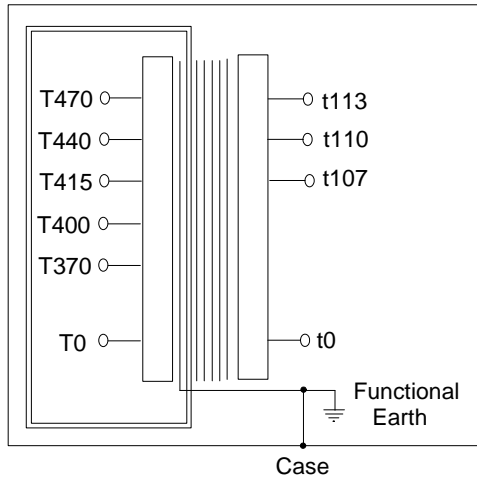
Whitting Valley Road, Old Whittington, Chesterfield, Derbyshire S41 9EY UK  
 Telephone: +44 (0) 1246 264260 Fax: +44 (0) 1246 455281  
 Web: www.trans-tronic.co.uk E mail: sales@trans-tronic.co.uk

**COIL WINDING – TRANSFORMER DESIGN & MANUFACTURE**

Description:	<b>Class II Hybrid FSP Isolating Transformer</b> <b>NR/L2/SIG/30007 400-415-440/110110V 1000VA</b>
--------------	---



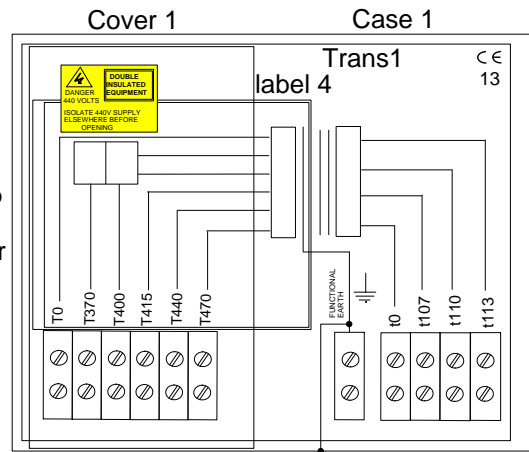
Dimensions	337x189x 285mm high	Weight	29Kg	Colour	BS381c shade 632 Dark Admiralty Grey
General arrangement drawing	GA-TB095 overleaf		O&M Manual : Trans-Tronic ClassII-Hybrid-FSP- Tx O&M		
Primary (Input)	ClassII T0-T370-T400-T415-T440-T470		Secondary (output)	ClassI t0-t107-t110-t113	
Rating	Full load 1000VA Intermittent 1200VA for 15 minutes in each hour , 1000VA for remaining 45 minutes				
Primary terminals	Screw up clamp 0.5 -10mm <sup>2</sup>		Secondary terminals	Screw up clamp 0.5-10mm <sup>2</sup>	
Functional earth	Screw up clamp 0.5-10mm <sup>2</sup>		Enclosure IP32		
Efficiency	94%	Regulation	3.6%	Impedance	4.0%
No Load losses	22 watts		Full load losses 60 watts		
Primary resistance @ 20°C	3.0 ohms @ 400V 3.1 ohms @ 415V 3.3 ohms @ 440V		Secondary resistance @ 20°C 0.19 ohms @ 110V		
Primary Inductance	8.3mH @ 400V		Secondary Inductances 0.59mH @ 110V		
Input current at full load	3.0A @ 370V 2.7A @ 400V 2.6A @ 415V 2.5A @ 440V 2.3A @ 470V		Output current at full load (500VA) 4.6A		
Input current at 120% of full load (15 minutes in each hour)	3.5A @ 370V 3.2A @ 400V 3.1A @ 415V 2.9A @ 440V 2.7A @ 470V		Output current at 120% full load (600VA) 5.5A		
Peak inrush current	8.9x FLC (23.1A at 415V)		I <sup>2</sup> t	4.0 A <sup>2</sup> s	X/R ratio 0.48
Prospective short circuit current @ 20°C	200A for 5 seconds				
Insulation resistance (500v)	Primary to core >100M ohms Secondary to core >100M ohms Primary to secondary >100M ohms		Dielectric strength Primary to core 4.7Kv Secondary to core 2.8Kv Primary to secondary 4.7Kv		Impulse withstand 8KV
Recommended fuse Protection	BS88 & 10x38 gG IEC 60269-1 &-2 4A				
Operational temperature range	-20°C to +60°C		Humidity	Up to 100% RH	
Altitude	<2000 metres above sea level		Issue 4	01/08/2013	



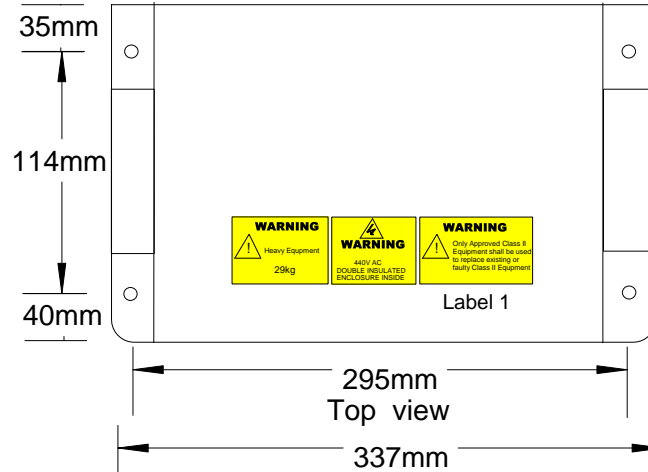
Primary Terminals  
0.5-10mm<sup>2</sup> cable

Secondary Terminals  
0.5-10mm<sup>2</sup> cable

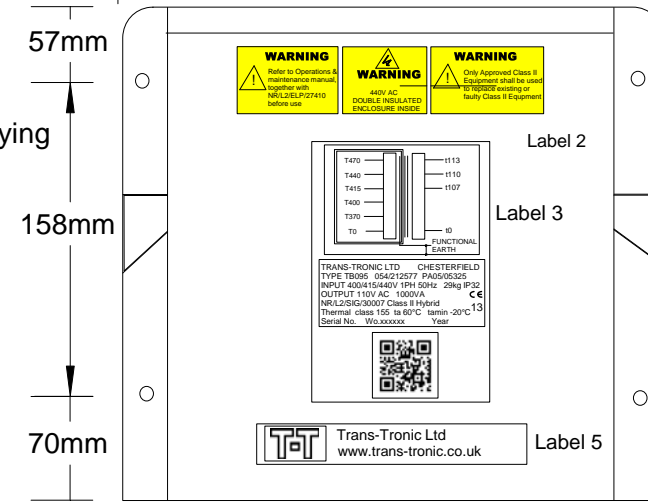
Functional Earth  
0.5-10mm<sup>2</sup> cable



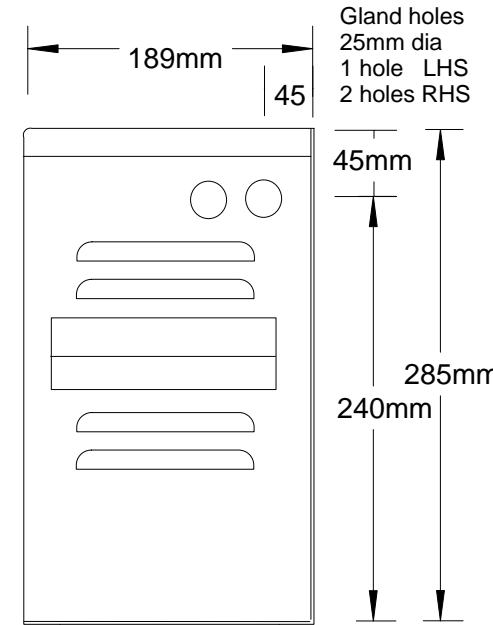
Internal view with case lid removed



Top view



Front view



Side view

Item	Description	Part No.
Case 1	Transformer case	21-CASE-P4DG
Trans 1	440/110v 1000va classII	TT4336
Cover 1	P4class2 Poly carb	21-P4-COV1
Cover 2	P4 Mylar side layer	21-P4-COV2
Label 1	440VClassIIP4top	02-class2-440P4top
Label 2	440VClassIIP4front	02-Class2-440P4Front
Label 3	Circuit diagram + Rating plate	TB095 CD+RP
Label 4	440VClassII internal	02-class2-440int
Label 5	Trans-Tronic	02-trans-tronic

**Trans-Tronic Ltd**  
Whitting Valley Road, Chesterfield, S41 9EY  
Tel: 01246 264260 Fax: 01246 455281

TITLE GA drawing for ClassII Hybrid FSP Isolating transformer  
400-415-440V/110V 1000VA 054/212577 PA05/05325

SIZE	DATE	DWG NO	REV
A4	01/08/2013	A4-TB095-GA	5
SCALE		SHEET	
NTS		1 of 1	