



Certificate no. 4001132

TB130
PRODUCT DATA
054/212578
PA05/05325

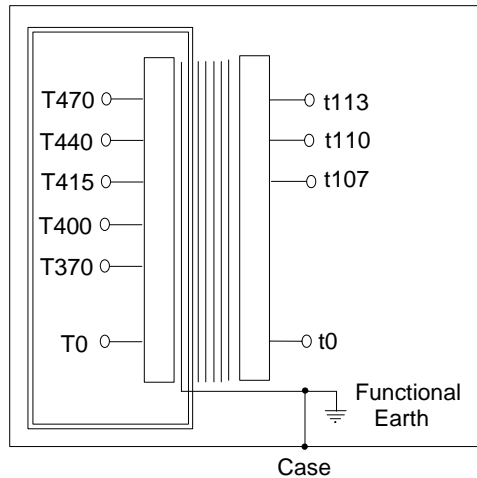
Whitting Valley Road, Old Whittington, Chesterfield, Derbyshire S41 9EY UK
 Telephone: +44 (0) 1246 264260 Fax: +44 (0) 1246 455281
 Web: www.trans-tronic.co.uk E mail: sales@trans-tronic.co.uk

COIL WINDING – TRANSFORMER DESIGN & MANUFACTURE

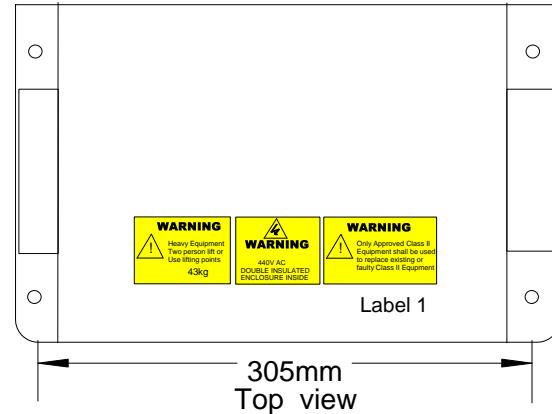
Description:	Class II Hybrid FSP Isolating Transformer NR/L2/SIG/30007 400-415-440/110110V 1500VA
--------------	---



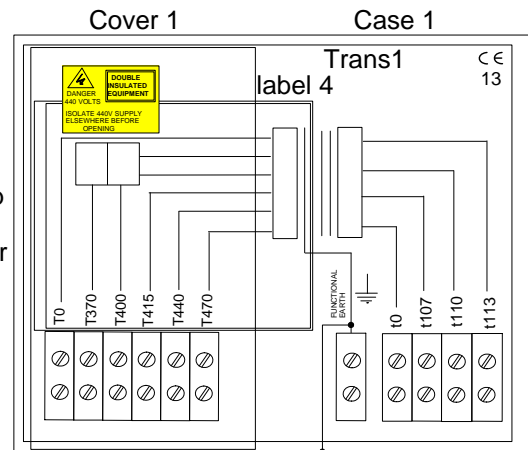
Dimensions	340x280x 280mm high	Weight	43Kg	Colour	BS381c shade 632	Dark Admiralty Grey
General arrangement drawing	GA-TB130		overleaf	O&M Manual	Trans-Tronic ClassII-Hybrid-FSP- Tx O&M	
Primary (Input)	ClassII T0-T370-T400-T415-T440-T470			Secondary (output)	ClassI t0-t107-t110-t113	
Rating	Full load 1500VA Intermittent 1800VA for 15 minutes in each hour , 1500VA for remaining 45 minutes					
Primary terminals	Screw up clamp 0.5 -10mm ²			Secondary terminals	Screw up clamp 0.5-10mm ²	
Functional earth	Screw up clamp 0.5-10mm ²			Enclosure	IP32	
Efficiency	95%	Regulation	2.7%	Impedance	3.3%	
No load losses	28 watts			Full load losses	70 watts	
Primary resistance @ 20°C	1.44 ohms @ 400V 1.50 ohms @ 415V 1.59 ohms @ 440V			Secondary resistance @ 20°C	0.10 ohms @ 110V	
Primary Inductance	6.2mH @ 400V			Secondary Inductance	0.48mH @ 110V	
Input current at full load	4.3A @ 370V 4.0A @ 400V 3.8A @ 415V 3.6A @ 440V 3.4A @ 470V			Output current at full load (1500VA)	13.6A	
Input current at 120% of full load (15 minutes in each hour)	5.1A @ 370V 4.8A @ 400V 4.6A @ 415V 4.3A @ 440V 4.0A @ 470V			Output current at 120% full load (18600VA)	16.3A	
Peak inrush current	8.8x FLC (33.4A at 415V)			I ² t	8.4 A ² s	X/R ratio 0.70
Prospective short circuit current @ 20°C	380A for 5 seconds					
Insulation resistance (500v)	Primary to body >100M ohms Secondary to body >100M ohms Primary to secondary body >100M ohms			Dielectric strength	Primary to body 4.7Kv Secondary to body 2.8Kv Primary to secondary body 4.7Kv	
					Impulse withstand 8Kv	
Recommended fuse Protection	BS88 & 10x38 gG IEC 60269-1 &-2 6A					
Operational temperature range	-20°C to +60°C			Humidity	Up to 100% RH	
Altitude	<2000 metres above sea level			Issue 3	01/08/2013	



65mm
137mm

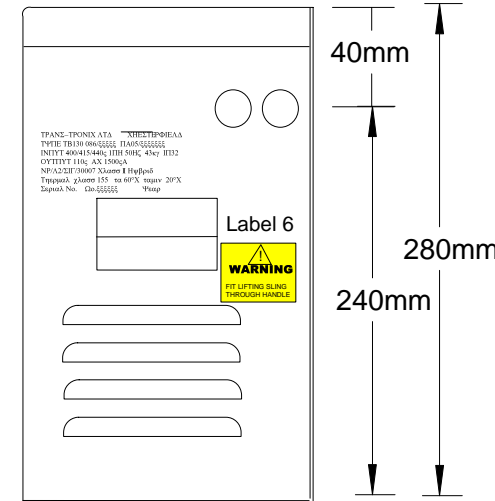
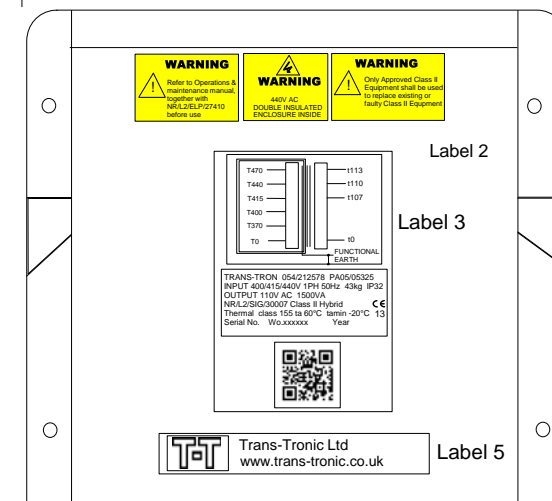


280mm
45
Gland holes 25mm dia
1 hole LHS
2 holes RHS



cable clamp
Cover 2

52mm
180mm
Combined carrying handle and lifting point



Fixing holes 8mm dia

318mm
Front view

137mm
Side view

Item	Description	Part No.
Case 1	Transformer case	21-CASE-P5DG
Trans 1	440/110v 1500va classII	TT4351
Cover 1	P5class2 Poly carb	21-P5-COV1
Cover 2	P5 Mylar side layer	21-P5-COV2
Label 1	440VClassIIP5top	02-class2-440P5top
Label 2	440VClassIIP5 front	02-Class2-440P5Front
Label 3	Circuit diagram + Rating plate	TB130 CD+RP
Label 4	440VClassII internal	02-class2-440int
Label 5	Trans-Tronic	02-trans-tronic
Label 6	Lifting warning	02-class2-lifting



Trans-Tronic Ltd Whitting Valley Road, Chesterfield, S41 9EY Tel: 01246 264260 Fax: 01246 455281			
TITLE GA drawing for ClassII Hybrid FSP Isolating transformer 400-415-440V/110V 1500VA 054/212578 PA05/05325			
SIZE A4	DATE 01/08/2013	DWG NO A4-TB130-GA	REV 5
SCALE NTS	SHEET 1 of 1		