

Certificate no. 4001132

TB096
PRODUCT DATA
054/212579
PA05/05325

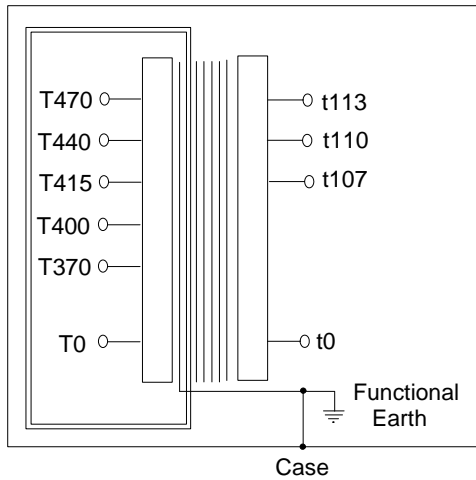
Whitting Valley Road, Old Whittington, Chesterfield, Derbyshire S41 9EY UK
 Telephone: +44 (0) 1246 264260 Fax: +44 (0) 1246 455281
 Web: www.trans-tronic.co.uk E mail: sales@trans-tronic.co.uk

COIL WINDING – TRANSFORMER DESIGN & MANUFACTURE

Description:	Class II Hybrid FSP Isolating Transformer NR/L2/SIG/30007 400-415-440/110110V 3000VA
--------------	---



Dimensions 384x302x 370mm high	Weight 60Kg	Colour BS381c shade 632	Dark Admiralty Grey
General arrangement drawing GA-TB096	overleaf	O&M Manual : Trans-Tronic ClassII-Hybrid-FSP- Tx	O&M
Primary (Input) ClassII T0-T370-T400-T415-T440-T470		Secondary (output) ClassI	t0-t107-t110-t113
Rating Full load	3000VA	Intermittent	3600VA for 15 minutes in each hour , 3000VA for remaining 45 minutes
Primary terminals	Screw up clamp 0.5 -10mm ²	Secondary terminals	Screw up clamp 0.5-10mm ²
Functional earth	Screw up clamp 0.5-10mm ²	IP32	
Efficiency	96%	Regulation	2.5%
No load losses	50 watts	Impedance	3.6%
Primary resistance @ 20°C	0.66 ohms @ 400V 0.68 ohms @ 415V	Full load losses	120 watts
0.73 ohms @ 440V		Secondary resistance @ 20°C	0.48 ohms @ 110V
Primary Inductance	4.2mH at 400V	Secondary Inductance	0.32mH at 110V
Input current at full load	8.5A @ 370V 7.9A @ 400V 7.6A @ 415V	Output current at full load (500VA)	27.3A
7.20A @ 440V 6.7A @ 470V		Output current at 120% full load (600VA)	32.7A
Input current at 120% of full load (15 minutes in each hour)	10.2A @ 370V 9.4A @ 400V 9.0A @ 415V		
8.5A @ 440V 8.0A @ 470V			
Peak inrush current	9.0x FLC (68.4A at 415V)	I ² t	35 A ² s
Prospective short circuit current @ 20°C	720A for 5 seconds	X/R ratio	1.0
Insulation resistance (500v)	Primary to body >100M ohms	Dielectric strength	Primary to body 4.7Kv
Secondary to body >100M ohms	Primary to secondary body >100M ohms	Secondary to body	2.8Kv
		Primary to secondary body	4.7Kv
Recommended fuse Protection	BS88 16A	10x38 gG IEC 60269-1 &-2	12A
Operational temperature range	-20°C to +60°C	Humidity	Up to 100% RH
Altitude	<2000 metres above sea level	Issue 4	01/08/2013



Primary Terminals
0.5-10mm² cable

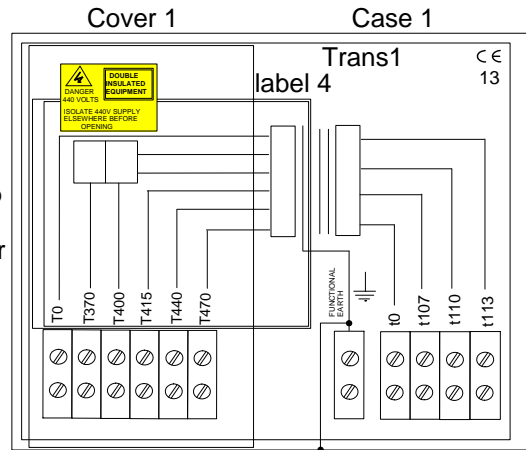
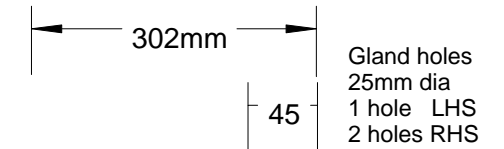
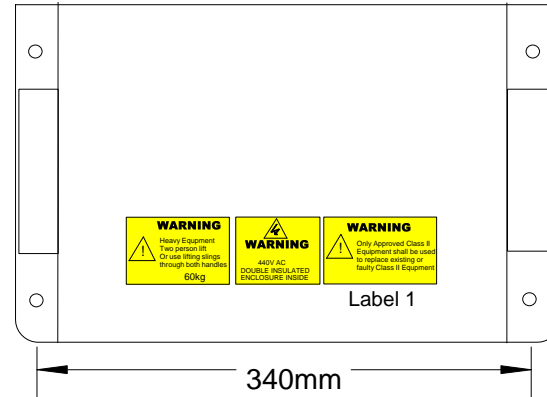
Secondary Terminals
0.5-10mm² cable

Functional Earth
0.5-10mm² cable

70mm

162mm

70mm



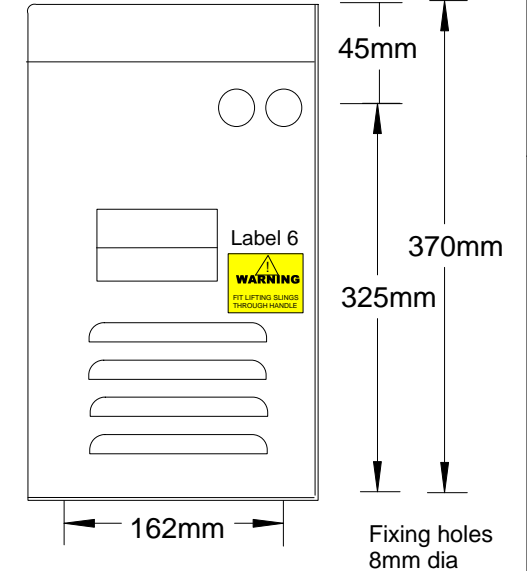
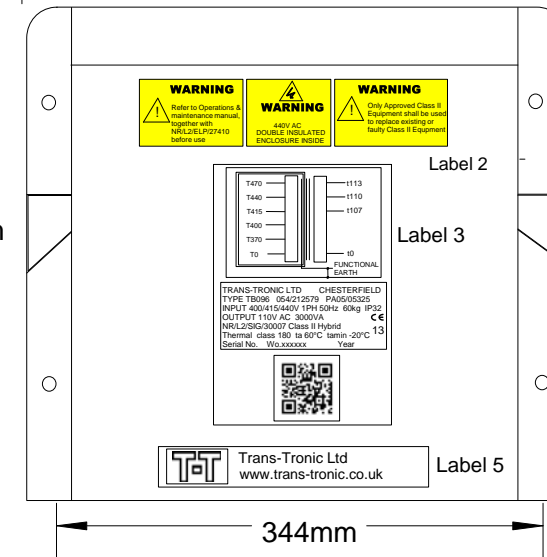
Internal view with case lid removed

56mm

254mm

60mm

Combined carrying handle and lifting point



Item	Description	Part No.
Case 1	Transformer case	21-CASE-P6DG
Trans 1	440/110v 3000va classII	TT4337
Cover 1	P6class2 Poly carb	21-P6-COV1
Cover 2	P6 Mylar side cover	21-P6-COV2
Label 1	440VClassIIP6top	02-class2-440P6top
Label 2	440VClassIIP6front	02-Class2-440P6Front
Label 3	Circuit diagram + Rating plate	TB096 CD+RP
Label 4	440VClassII internal	02-class2-440int
Label 5	Trans-Tronic	02-trans-tronic
Label 6	Lifting warning	02-class2-lifting



Trans-Tronic Ltd Whitting Valley Road, Chesterfield, S41 9EY Tel: 01246 264260 Fax: 01246 455281			
TITLE GA drawing for ClassII Hybrid FSP Isolating transformer 400-415-440V/110V 3000VA 054/212579 PA05/05325			
SIZE A4	DATE 01/08/2013	DWG NO A4-TB096-GA	REV 5
SCALE NTS		SHEET 1 of 1	