

Certificate no. 4001132

TB128
PRODUCT DATA
054/212580
PA05/05325

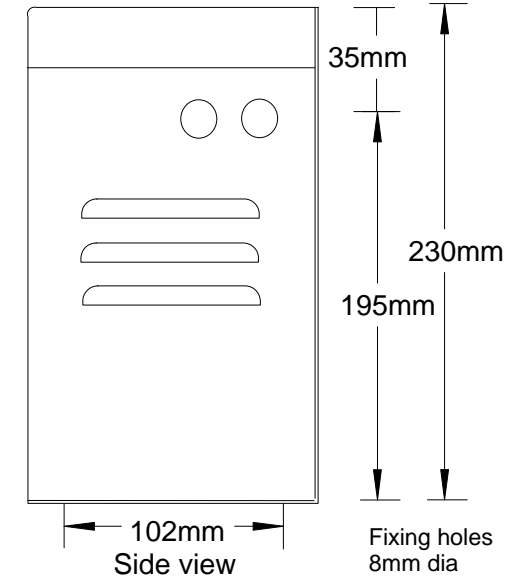
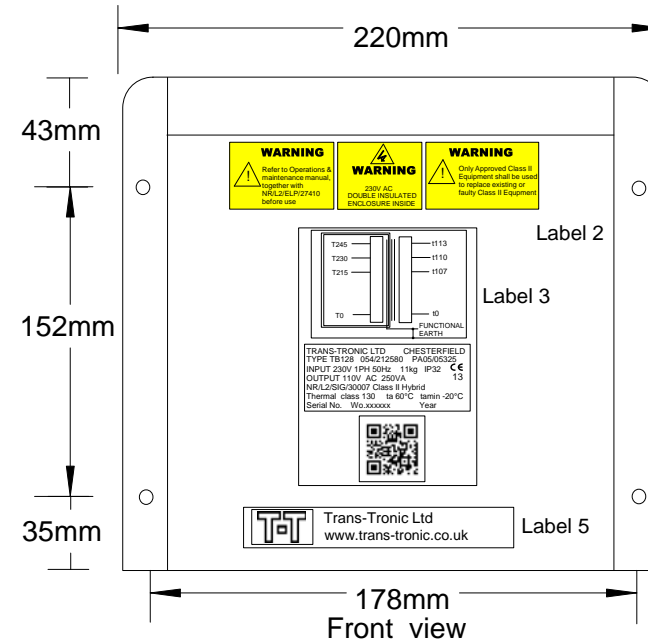
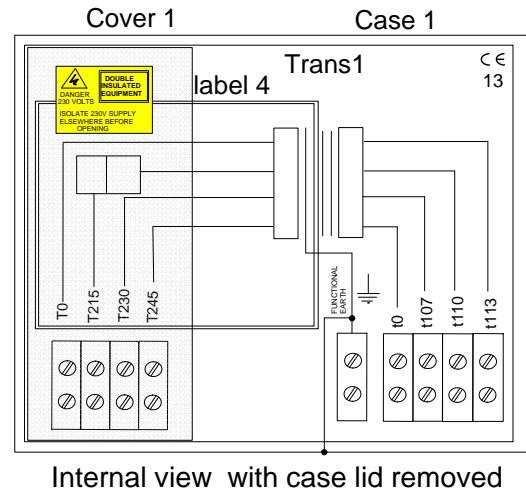
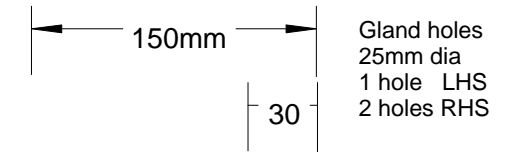
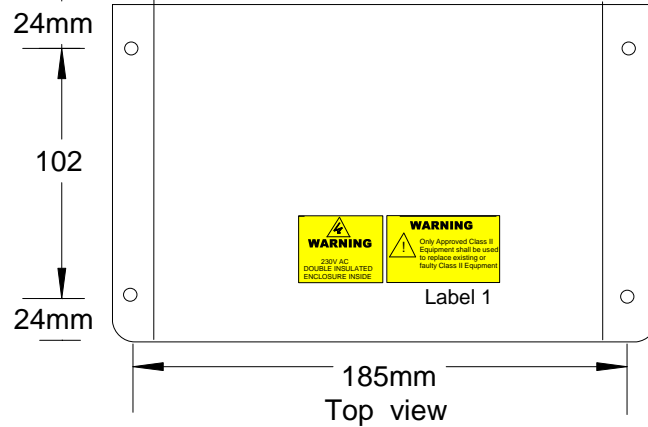
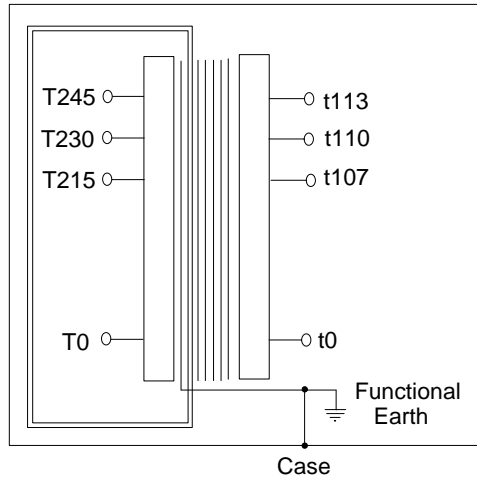
Whitting Valley Road, Old Whittington, Chesterfield, Derbyshire S41 9EY UK
 Telephone: +44 (0) 1246 264260 Fax: +44 (0) 1246 455281
 Web: www.trans-tronic.co.uk E mail: sales@trans-tronic.co.uk

COIL WINDING – TRANSFORMER DESIGN & MANUFACTURE

Description:	Class II Hybrid FSP Isolating Transformer NR/L2/SIG/30007 230/110V 250VA
--------------	---



Dimensions	220x150x 230mm high	11Kg	Colour	BS381c shade 632	Dark Admiralty Grey
General arrangement drawing	GA-TB128 overleaf		O&M Manual	Trans-Tronic ClassII-Hybrid-FSP- Tx O&M	
Primary (Input) ClassII	T0-T215-T230-T245		Secondary (output) ClassI	t0-t107-t110-t113	
Rating	Full load 250VA Intermittent 300VA for 15 minutes in each hour , 250VA for remaining 45 minutes				
Primary terminals	Screw up clamp 0.2-6mm ²		Secondary terminals	Screw up clamp 0.5-10mm ²	
Functional earth	Screw up clamp 0.5-10mm ²		Enclosure IP32		
Efficiency	92%	@ 80% load	Regulation	4.9%	Impedance 5.1%
No load loss	8 watts		Full load loss	22 watts	
Primary resistance @ 20°C	6.0 ohms @ 230V		Secondary resistance @ 20°C	0.92 ohms @ 110V	
Primary Inductance	7.6mH @ 230V		Secondary Inductance	1.9mH @ 110V	
Input current at full load rating	1.28A @ 215V 1.19A @ 230v 1.12A @ 245V		Output current at full load rating	2.28A	
Maximum Input current at intermittent rating	1.51A @ 215V 1.43A @230v 1.34A @ 245V		Maximum output current at intermittent rating	2.73A	
Peak inrush current	9.6x FLC (11.4A at 230V)		I ² t	1.0 A ² s	X/R ratio 0.25
Prospective short circuit output current @ 20°C	42A		for 5 seconds		
Insulation resistance (500v)	Primary to core >100M ohms Secondary to core >100M ohms Primary to secondary >100M ohms		Dielectric strength	Primary to core 3.8Kv Secondary to core 2.8Kv Primary to secondary 3.8Kv	
Recommended fuse Protection	BS88 & 10x38 gG IEC 60269-1 &-2		2A		
Operational temperature range	-20°C to +60°C		Humidity	Up to 100% RH	
Altitude	<2000 metres above sea level		Issue 4	01/08/2013	



cable clamp
Cover 2

Item	Description	Part No.
Case 1	Transformer case	21-CASE-P2DG
Trans 1	230/110v 250va classII	TT4347
Cover 1	P2 Poly carb	21-P2-COV1
Cover 2	P2 Mylar side layer	21-P2-COV2
Label 1	230VClassII top	02-class2-230top
Label 2	230VClassII front	02-Class2-230Front
Label 3	Circuit diagram + Rating plate	TB128CD+RP
Label 4	230VClassII internal	02-class2-230int
Label 5	Trans-Tronic	02-trans-tronic

Trans-Tronic Ltd
Whitting Valley Road, Chesterfield, S41 9EY
Tel: 01246 264260 Fax: 01246 455281

TITLE GA drawing for ClassII Hybrid FSP Isolating transformer
230/110V 250VA 054/212580 PA05/05325

SIZE A4	DATE 01/08/2013	DWG NO A4-TB128-GA	REV 5
SCALE NTS		SHEET 1 of 1	