



Certificate no. 4001132

TB097
PRODUCT DATA
054/212581
PA05/05325

Whitting Valley Road, Old Whittington, Chesterfield, Derbyshire S41 9EY UK
 Telephone: +44 (0) 1246 264260 Fax: +44 (0) 1246 455281
 Web: www.trans-tronic.co.uk E mail: sales@trans-tronic.co.uk

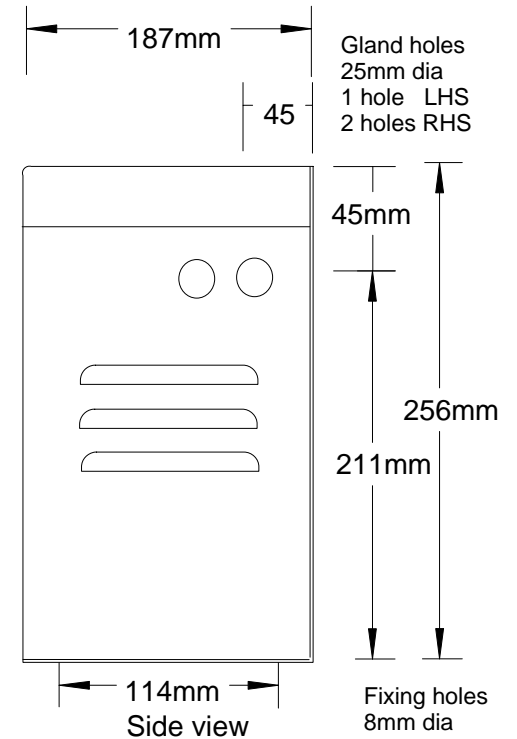
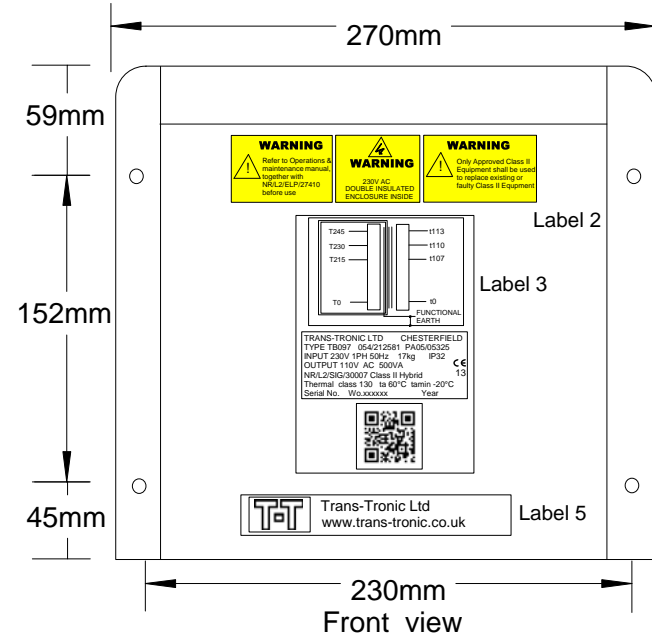
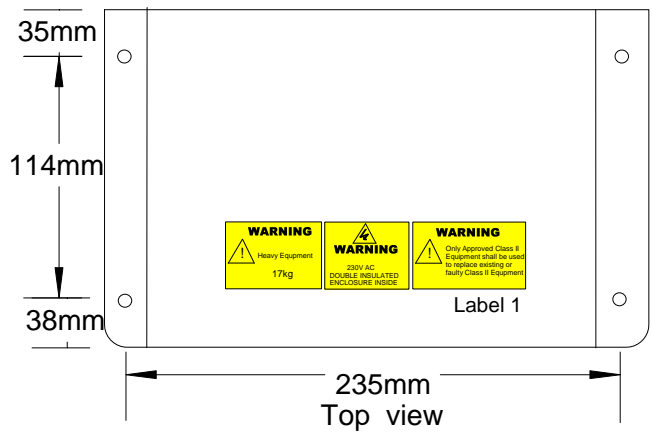
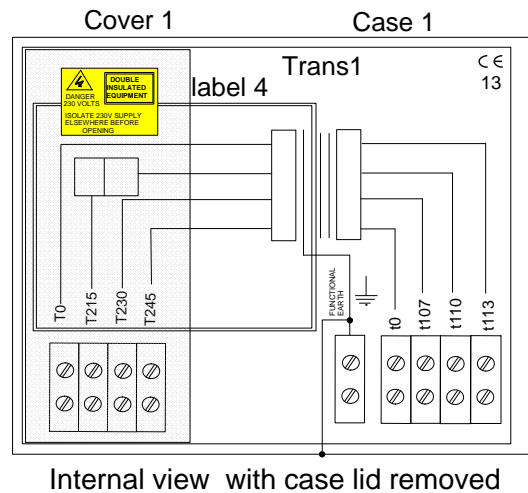
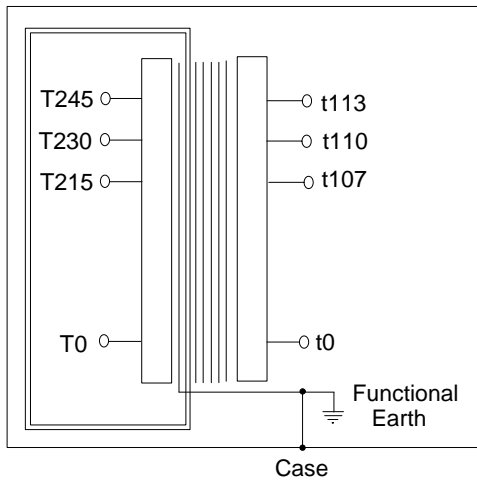
COIL WINDING – TRANSFORMER DESIGN & MANUFACTURE

Description:

Class II Hybrid FSP Isolating Transformer
NR/L2/SIG/30007 230/110V 500VA



Dimensions	270x187x 256mm high	17Kg	Colour	BS381c shade 632 Dark Admiralty Grey	
General arrangement drawing	GA-TB097 overleaf		O&M Manual :	Trans-Tronic ClassII-Hybrid-FSP- Tx O&M	
Primary (Input) ClassII	T0-T215-T230-T245		Secondary (output) ClassI	t0-t107-t110-t113	
Rating Full load	500VA		Intermittent 600VA for 15 minutes in each hour , 500VA for remaining 45 minutes		
Primary terminals	Screw up clamp 0.2-6mm ²		Secondary terminals	Screw up clamp 0.5-10mm ²	
Functional earth	Screw up clamp 0.5-10mm ²		Enclosure IP32		
Efficiency	93%	@ 80% load	Regulation	4.6%	Impedance 4.9%
No load loss	12 watts		Full load loss	36 watts	
Primary resistance @ 20°C	2.4 ohms @ 230V		Secondary resistance @ 20°C	0.50 ohms @ 110V	
Primary Inductance	5.1mH @ 230V		Secondary Inductance	1.3mH @ 110V	
Input current at full load rating	2.5A @ 215V 2.4A @ 230v 2.2A @ 245V		Output current at full load rating	4.55A	
Maximum Input current at intermittent rating	3.1A @ 215V 2.9A @230v 2.7A @ 245V		Maximum output current at intermittent rating	5.45A	
Peak inrush current	8.1x FLC (19.4A at 230V)		I _{2t}	2.4 A ² s	X/R ratio 0.36
Prospective short circuit output current @ 20°C	88A		for 5 seconds		
Insulation resistance (500v)	Primary to core >100M ohms		Dielectric strength	Impulse withstand	
	Secondary to core >100M ohms		Primary to core	3.8Kv	8KV
	Primary to secondary >100M ohms		Secondary to core	2.8Kv	
			Primary to secondary	3.8Kv	
Recommended fuse Protection	BS88 & 10x38 gG IEC 60269-1 &-2 4A				
Operational temperature range	-20°C to +60°C		Humidity	Up to 100% RH	
Altitude	<2000 metres above sea level		Issue 4	01/08/2013	



Item	Description	Part No.
Case 1	Transformer case	21-CASE-P3DG
Trans 1	230/110v 500va classII	TT4338
Cover 1	P3 Poly carb	21-P3-COV1
Cover 2	P3 Mylar side layer	21-P3-COV2
Label 1	230VClassIIP3top	02-class2-230P3top
Label 2	230VClassIIP3front	02-Class2-230P3Front
Label 3	Circuit diagram + Rating plate	TB097CD+RP
Label 4	230VClassII internal	02-class2-230int
Label 5	Trans-Tronic	02-trans-tronic

Trans-Tronic Ltd
Whitting Valley Road, Chesterfield, S41 9EY
Tel: 01246 264260 Fax: 01246 455281

TITLE GA drawing for ClassII Hybrid FSP Isolating transformer
230/110V 500VA 054/212581 PA05/05325

SIZE A4	DATE 01/08/2013	DWG NO A4-TB097-GA	REV 5
SCALE NTS		SHEET 1 of 1	