



TB098
PRODUCT DATA
054/212582
PA05/05325

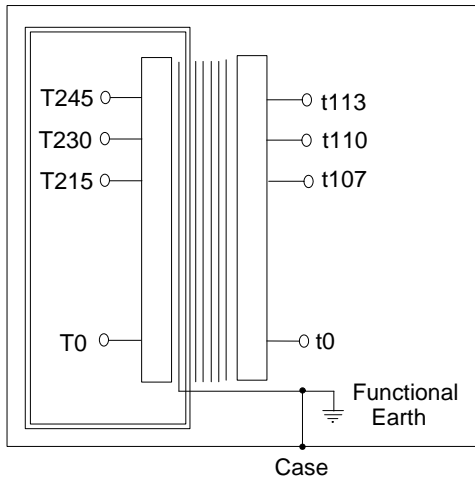
Whitting Valley Road, Old Whittington, Chesterfield, Derbyshire S41 9EY UK
 Telephone: +44 (0) 1246 264260 Fax: +44 (0) 1246 455281
 Web: www.trans-tronic.co.uk E mail: sales@trans-tronic.co.uk

COIL WINDING – TRANSFORMER DESIGN & MANUFACTURE

Description:	Class II Hybrid FSP Isolating Transformer NR/L2/SIG/30007	230/110V 1000VA
--------------	--	------------------------



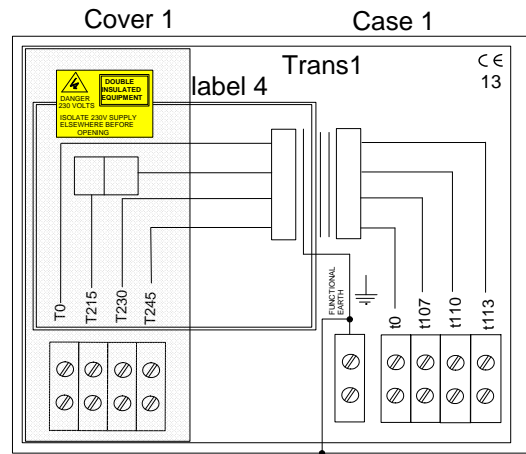
Dimensions	337x189x 285mm high	Weight	29kg	Colour	BS381c shade 632 Dark Admiralty Grey
General arrangement drawing	GA-TB098 overleaf			O&M Manual	Trans-Tronic ClassII-Hybrid-FSP- Tx O&M
Primary (Input) ClassII	T0-T215-T230-T245			Secondary (output) ClassI	t0-t107-t110-t113
Rating	Full load 1000VA Intermittent 1200VA for 15 minutes in each hour, 1000VA for remaining 45 minutes				
Primary terminals	Screw up clamp 0.5 -10mm ²		Secondary terminals	Screw up clamp 0.5-10mm ²	
Functional earth	Screw up clamp 0.5 -10mm ²		Enclosure IP32		
Efficiency	94%	Regulation	3.5%	Impedance	3.9%
No load loss	22 watts		Full load loss	60 watts	
Primary resistance @ 20°C	0.98 ohms @ 230V		Secondary resistance @ 20°C	0.19 ohms @ 110V	
Primary Inductance	2.6mH @ 230mH		Secondary Inductance	0.59mH @ 230mH	
Input current at full load	5.0A @ 215V 4.7A @ 230v 4.4A @ 245V		Output current at full load (1000VA)	9.1A	
Input current at 120% of full load (15 minutes in each hour)	5.9A @ 215V 5.5A @ 230v 5.2A @ 245V		Output current at 120% full load (1200VA)	10.9A	
Peak inrush current	9.7x FLC (45.6A at 230V)		I _{pt}	15.6 A ² s	X/R ratio 0.47
Prospective short circuit current @ 20°C	210A for 5 seconds				
Insulation resistance (500v)	Primary to core >100M ohms		Dielectric strength	Primary to core 3.8Kv	
	Secondary to core >100M ohms			Secondary to core 2.8Kv	
	Primary to secondary >100M ohms			Primary to secondary 3.8Kv	
Recommended fuse Protection	Max load < 1000VA BS88 & 10x38 gG IEC 60269-1 &-2 6A		Max load =>1000VA BS88 & 10x38 gG IEC 60269-1 &-2 8A		
Operational temperature range	-20°C to +60°C		Humidity	Up to 100% RH	
Altitude	<2000 metres above sea level		Issue	4 01/08/2013	



Primary Terminals
0.5-10mm² cable

Secondary Terminals
0.5-10mm² cable

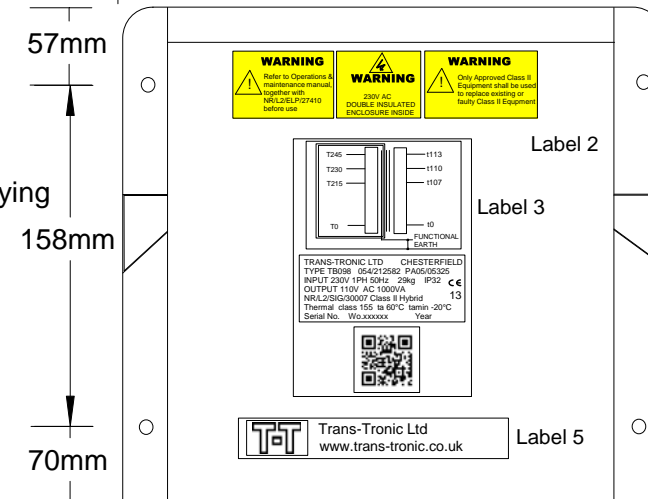
Functional Earth
0.5-10mm² cable



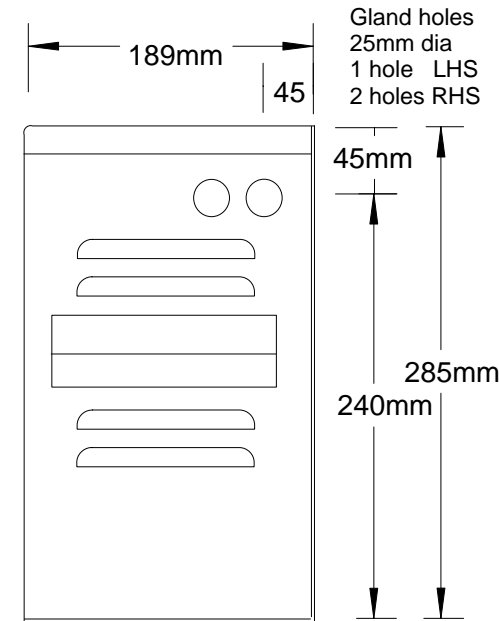
Internal view with case lid removed



295mm
Top view



295mm
Front view



114mm
Side view

Item	Description	Part No.
Case 1	Transformer case	21-CASE-P4DG
Trans 1	230/110v 1000va classII	TT4340
Cover 1	P4class2 Poly carb	21-P4-COV1
Cover 2	P4 Mylar side layer	21-P4-COV2
Label 1	230VClassIIP4top	02-class2-230P4top
Label 2	230VClassIIP4front	02-Class2-230P4Front
Label 3	Circuit diagram + Rating plate	TB098 CD+RP
Label 4	230VClassII internal	02-class2-230int
Label 5	Trans-Tronic	02-trans-tronic

Trans-Tronic Ltd
Whitting Valley Road, Chesterfield, S41 9EY
Tel: 01246 264260 Fax: 01246 455281

TITLE GA drawing for ClassII Hybrid FSP Isolating transformer
230/110V 1000VA 054/212582 PA05/05325

SIZE A4	DATE 01/08/2013	DWG NO A4-TB098-GA	REV 5
SCALE NTS		SHEET 1 of 1	