



Certificate no. 4001132

TB131
PRODUCT DATA
054/212583
PA05/05325

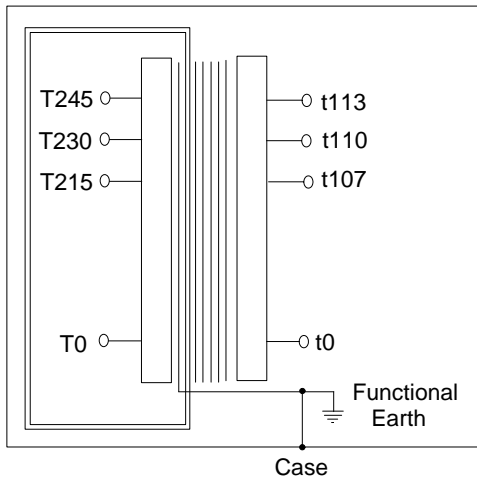
Whitting Valley Road, Old Whittington, Chesterfield, Derbyshire S41 9EY UK
 Telephone: +44 (0) 1246 264260 Fax: +44 (0) 1246 455281
 Web: www.trans-tronic.co.uk E mail: sales@trans-tronic.co.uk

COIL WINDING – TRANSFORMER DESIGN & MANUFACTURE

Description:	Class II Hybrid FSP Isolating Transformer NR/L2/SIG/30007 230/110V 1500VA
--------------	--



Dimensions	340x280x280mm high	Weight	43Kg	Colour	BS381c shade 632 Dark Admiralty Grey
General arrangement drawing	GA-TB131 overleaf		O&M Manual : Trans-Tronic ClassII-Hybrid-FSP- Tx O&M		
Primary (Input) ClassII	T0-T215-T230-T245		Secondary (output) ClassI t0-t107-t110-t113		
Rating	Full load 1500VA Intermittent 1800VA for 15 minutes in each hour , 1500VA for remaining 45 minutes				
Primary terminals	Screw up clamp 0.5 -10mm ²		Secondary terminals Screw up clamp 0.5-10mm ²		
Functional earth	Screw up clamp 0.5-10mm ²		Enclosure IP32		
Efficiency	95%	@ 80% load	Regulation	2.7%	Impedance 3.3%
No load losses	28 watts		Full load losses 70 watts		
Primary resistance @ 20°C	0.47 ohms @ 230V		Secondary resistance @ 20°C 0.10 ohms @ 110V		
Primary Inductance	2.0mH @ 230V		Secondary Inductance 0.49mH @ 110V		
Input current at full load	7.3A @ 215V 6.9A @ 230v 6.4A @ 245V		Output current at full load (1500VA) 13.6A		
Input current at 120% of full load (15 minutes in each hour)	8.8A @ 215V 8.2A @ 230v 7.7A @ 245V		Output current at 120% full load (1800VA) 16.3A		
Peak inrush current	8.3x FLC (57.3A at 230V)		I ² t	20.6 A ² s	X/R ratio 0.70
Prospective short circuit current @ 20°C	380A for 5 seconds				
Insulation resistance (500v)	Primary to body >100M ohms		Dielectric strength Primary to body 3.8Kv		Impulse withstand 8Kv
	Secondary to body >100M ohms		Secondary to body 2.8Kv		
	Primary to secondary body >100M ohms		Primary to secondary body 3.8Kv		
Recommended fuse Protection	BS88 & 10x38 gG IEC 60269-1 &-2 10A				
Operational temperature range	-20°C to +60°C		Humidity		Up to 100% RH
Altitude	<2000 metres above sea level		Issue 4		01/08/2013



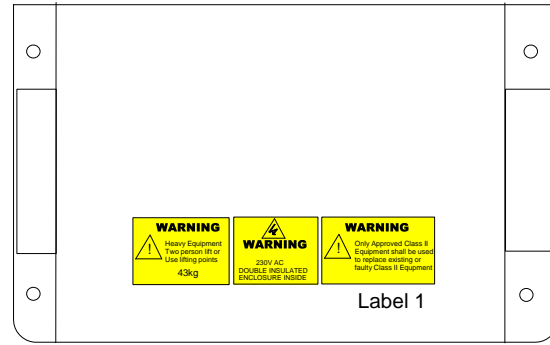
Primary Terminals
0.5-10mm² cable

Secondary Terminals
0.5-10mm² cable

Functional Earth
0.5-10mm² cable

65mm

137mm

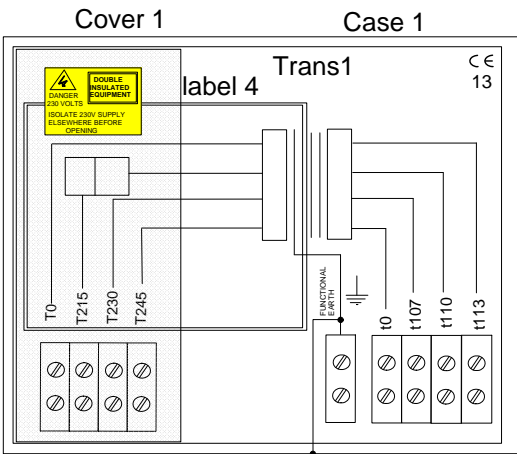


305mm
Top view

340mm

280mm

Gland holes
25mm dia
1 hole LHS
2 holes RHS



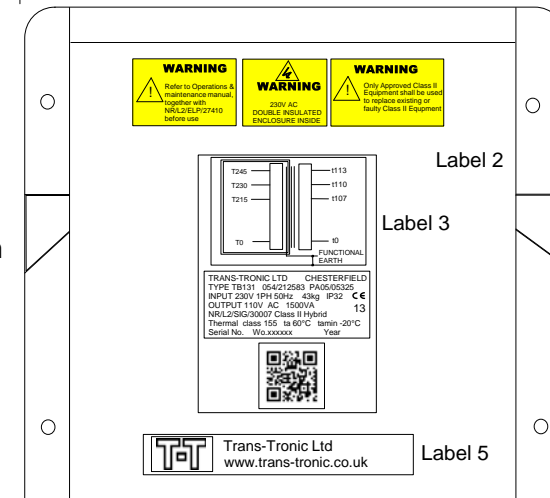
Internal view with case lid removed

52mm

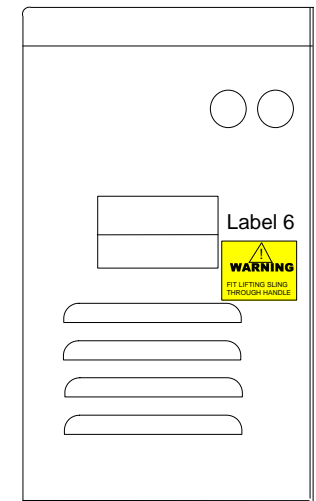
180mm

53mm

Combined carrying handle and lifting point



310mm
Front view



137mm
Side view

40mm

280mm

240mm

Fixing holes
8mm dia

cable clamp
Cover 2

Item	Description	Part No.
Case 1	Transformer case	21-CASE-P5DG
Trans 1	230/110v 1500va classII	TT4353
Cover 1	P5class2 Poly carb	21-P5-COV1
Cover 2	P5 Mylar side layer	21-P5-COV2
Label 1	230VClassIIP5top	02-class2-230P5top
Label 2	230VClassIIP5front	02-Class2-230P5Front
Label 3	Circuit diagram + Rating plate	TB131 CD+RP
Label 4	230VClassII internal	02-class2-230int
Label 5	Trans-Tronic	02-trans-tronic
Label 6	Lifting warning	02-class2-lifting

Trans-Tronic Ltd
Whitting Valley Road, Chesterfield, S41 9EY
Tel: 01246 264260 Fax: 01246 455281

TITLE GA drawing for ClassII Hybrid FSP Isolating transformer
230/110V 1500VA 054/212583 PA05/05325

SIZE A4	DATE 01/08/2013	DWG NO A4-TB131-GA	REV 5
SCALE NTS		SHEET 1 of 1	