



Certificate no. 4001132

TB091
PRODUCT DATA
054/212571
PA05/05325

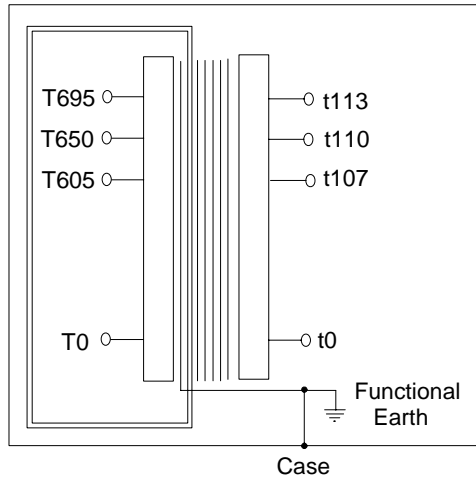
Whitting Valley Road, Old Whittington, Chesterfield, Derbyshire S41 9EY UK
 Telephone: +44 (0) 1246 264260 Fax: +44 (0) 1246 455281
 Web: www.trans-tronic.co.uk E mail: sales@trans-tronic.co.uk

COIL WINDING – TRANSFORMER DESIGN & MANUFACTURE

Description:	Class II Hybrid FSP Isolating Transformer NR/L2/SIG/30007	650/110V 500VA
--------------	--	-----------------------



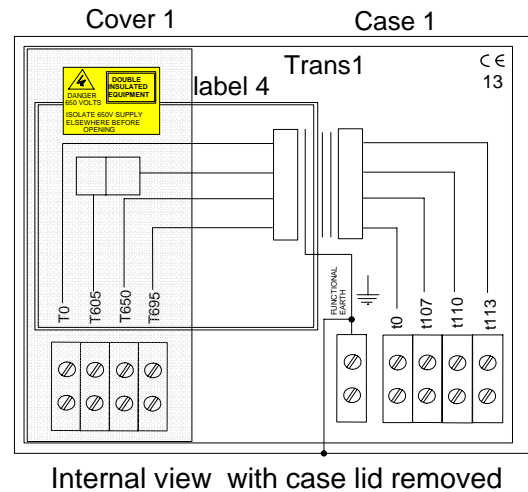
Dimensions	270x187x 256mm high	Weight	17Kg	Colour	BS381c shade 632 Dark Admiralty Grey
General arrangement drawing	GA-TB091 overleaf			O&M Manual	Trans-Tronic ClassII-Hybrid-FSP- Tx O&M
Primary (Input) ClassII	T0-T605-T650-T695			Secondary (output) ClassI	t0-t107-t110-t113
Rating	Full load 500VA Intermittent 600VA for 15 minutes in each hour , 500VA for remaining 45 minutes				
Primary terminals	Screw up clamp 0.2-6mm ²		Secondary terminals	Screw up clamp 0.5-10mm ²	
Functional earth	Screw up clamp 0.5-10mm ²		Enclosure IP32		
Efficiency	93%	Regulation	4.6%	Impedance	4.9%
No load losses	12 watts		Full load losses	36 watts	
Primary resistance @ 20°C	19.5 ohms @ 650V		Secondary resistance @ 20°C	0.51 ohms @ 110V	
Primary Inductance	41 mH @650V		Secondary Inductance	1.3mH @110V	
Input current at full load	0.90A @ 605V 0.83A @ 650v 0.78A @ 695V		Output current at full load (500VA)	4.54A	
Input current at 120% of full load (15 minutes in each hour)	1.08A @ 605V 1.02A @ 650v 0.94A @ 695V		Output current at 120% full load (600VA)	5.45A	
Peak inrush current	8.9x FLC (7.4A at 650V)		I ² t	0.5 A ² s	X/R ratio 0.36
Prospective short circuit current @ 20°C	88A for 5 seconds				
Insulation resistance (500v)	Primary to core >100M ohms		Dielectric strength		Impulse withstand 8KV
	Secondary to core >100M ohms		Primary to core 5.2Kv		
	Primary to secondary >100M ohms		Secondary to core 2.8Kv		
Recommended fuse Protection	BS88 & 10x38 gG IEC 60269-1 &-2 2A				
Operational temperature range	-20°C to +60°C		Humidity	Up to 100% RH	
Altitude	<2000 metres above sea level		Issue 4	01/08/2013	



Primary Terminals
0.2-6mm² cable

Secondary Terminals
0.5-10mm² cable

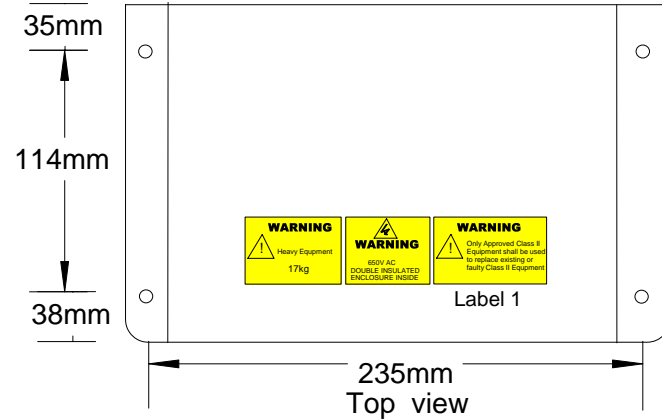
Functional Earth
0.5-10mm² cable



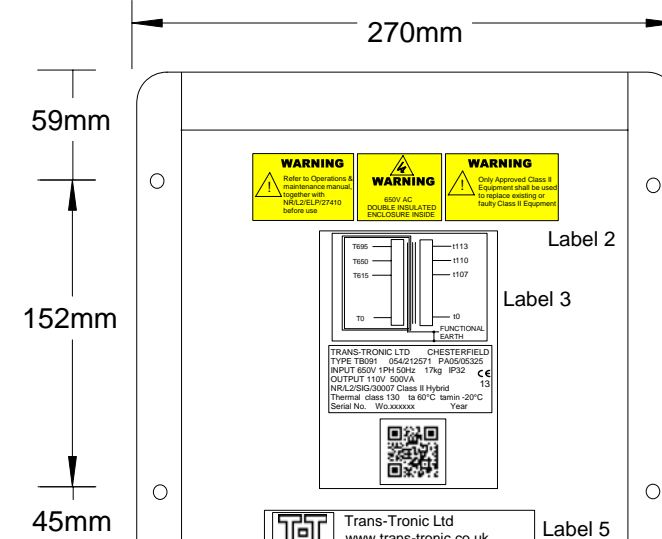
Internal view with case lid removed

cable clamp
Cover 2

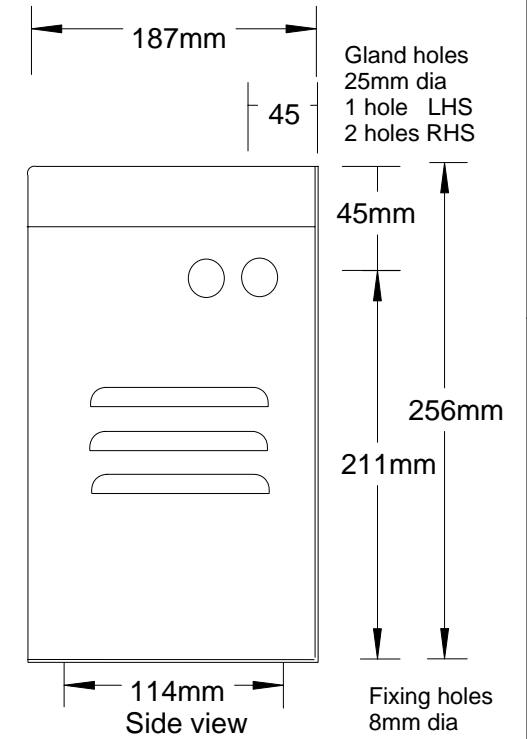
Item	Description	Part No.
Case 1	Transformer case	21-CASE-P3DG
TR1	650/110v 500va classII	TT4274
Cover 1	P3 Poly carb	21-P3-COV1
Cover 2	P3 Mylar side layer	21-P3-COV2
Label 1	650VClassIIP3top	02-class2-650P3top
Label 2	650VClassIIP3front	02-Class2-650P3Front
Label 3	Circuit diagram + Rating plate	TB091CD+RP
Label 4	650VClassII internal	02-class2-650int
Label 5	Trans-Tronic	02-trans-tronic



235mm
Top view



230mm
Front view



114mm
Side view



Trans-Tronic Ltd Whitting Valley Road, Chesterfield, S41 9EY Tel: 01246 264260 Fax: 01246 455281			
SIZE	DATE	DWG NO	REV
A4	01/08/2013	A4-TB091-GA	5
SCALE	NTS	SHEET 1 of 1	