



Certificate no. 4001132

TB099
PRODUCT DATA
054/212584
PA05/05325

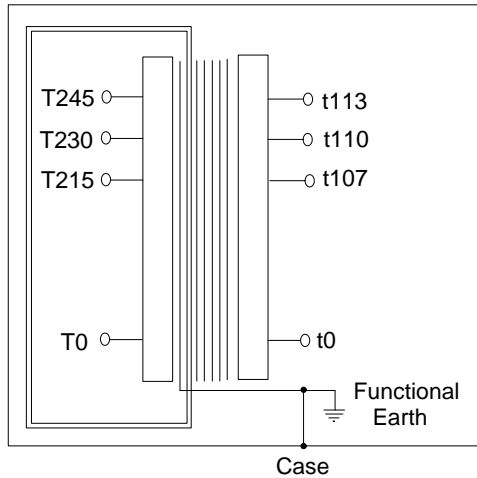
Whitting Valley Road, Old Whittington, Chesterfield, Derbyshire S41 9EY UK
 Telephone: +44 (0) 1246 264260 Fax: +44 (0) 1246 455281
 Web: www.trans-tronic.co.uk E mail: sales@trans-tronic.co.uk

COIL WINDING – TRANSFORMER DESIGN & MANUFACTURE

Description:	Class II Hybrid FSP Isolating Transformer NR/L2/SIG/30007	230/110V 3000VA
--------------	--	------------------------



Dimensions	384x302x 370mm high	Weight	60Kg	Colour	BS381c shade 632	Dark Admiralty Grey
General arrangement drawing	GA-TB099 overleaf			O&M Manual	Trans-Tronic ClassII-Hybrid-FSP- Tx O&M	
Primary (Input) ClassII	T0-T215-T230-T245			Secondary (output) ClassI	t0-t107-t110-t113	
Rating	Full load 3000VA Intermittent 3600VA for 15 minutes in each hour , 3000VA for remaining 45 minutes					
Primary terminals	Screw up clamp 0.5 -10mm ²			Secondary terminals	Screw up clamp 0.5-10mm ²	
Functional earth	Screw up clamp 0.5-10mm ²			Enclosure	IP32	
Efficiency	96%	@ 80%	Regulation	2.4%	Impedance	3.4%
No load losses	50			Full load losses	120	
Primary resistance @ 20°C	0.20 ohms @ 230V			Secondary resistance @ 20°C	0.046 ohms @ 110V	
Primary Inductance	1.4mH			Secondary Inductance	0.32mH	
Input current at full load	14.6A @ 215V 13.6 @ 230v 12.7 @ 245V			Output current at full load (3000VA)	27.3A	
Input current at 120% of full load (15 minutes in each hour)	17.4A @ 215V 16.2A @ 230v 15.2A @ 245V			Output current at 120% full load (3600VA)	32.7A	
Peak inrush current	8.8x FLC (120A at 230V)			I _{1t}	93 A ² s	X/R ratio 1.0
Prospective short circuit current	@ 20°C 720A for 5 seconds					
Insulation resistance (500v)	Primary to body >100M ohms			Dielectric strength	Primary to body 3.8Kv	
	Secondary to body >100M ohms				Secondary to body 2.8Kv	
	Primary to secondary body >100M ohms				Primary to secondary body 3.8Kv	
Recommended fuse Protection	BS88 & 10x38 gG IEC 60269-1 &-2 20A					
Operational temperature range	-20°C to +60°C			Humidity	Up to 100% RH	
Altitude	<2000 metres above sea level			Issue 4	01/08/2013	



Primary Terminals
0.5-10mm2 cable

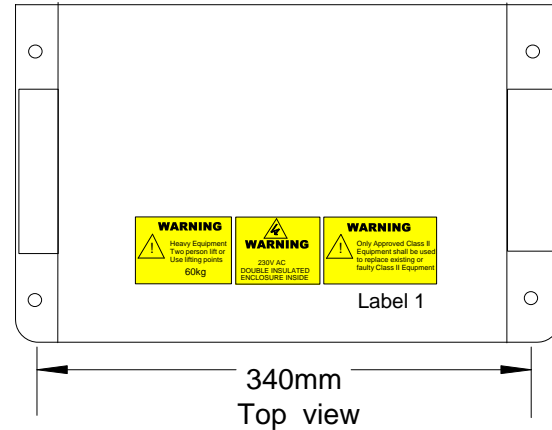
Secondary Terminals
0.5-10mm2 cable

Functional Earth
0.5-10mm2 cable

70mm

162mm

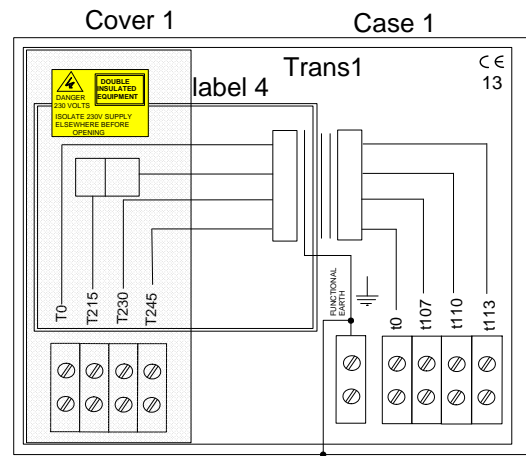
70mm



302mm

45

Gland holes
25mm dia
1 hole LHS
2 holes RHS



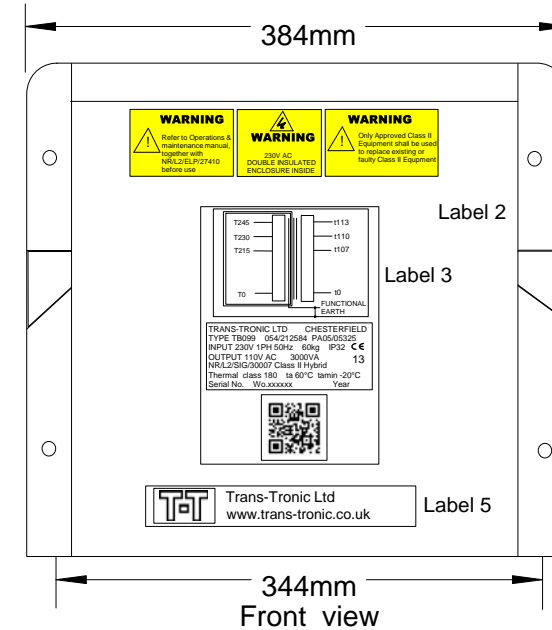
Internal view with case lid removed

56mm

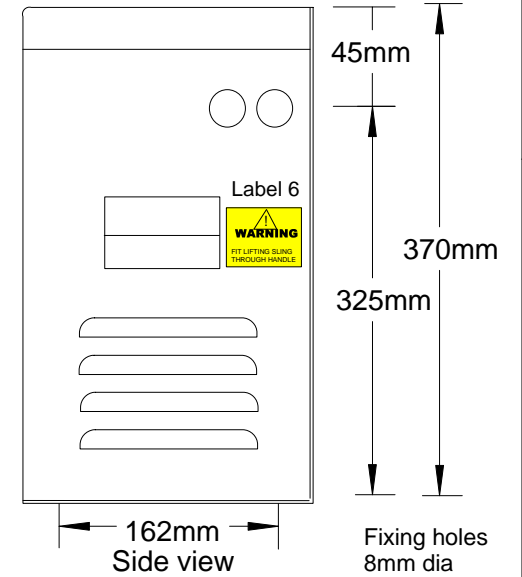
254mm

60mm

Combined carrying handle and lifting point



344mm
Front view



162mm
Side view

325mm

370mm

45mm

Fixing holes
8mm dia

Item	Description	Part No.
Case 1	Transformer case	21-CASE-P6DG
Trans 1	230/110v 3000va classII	TT4341
Cover 1	P6class2 Poly carb	21-P6-COV1
Cover 2	P6 Mylar 2nd layer	21-P6-COV2
Label 1	230VClassIIP6top	02-class2-230P6top
Label 2	230VClassIIP6front	02-Class2-230P6Front
Label 3	Circuit diagram + Rating plate	TB099 CD+RP
Label 4	230VClassII internal	02-class2-230int
Label 5	Trans-Tronic	02-trans-tronic
Label 6	Lifting warning	02-class2-lifting



Trans-Tronic Ltd Whitting Valley Road, Chesterfield, S41 9EY Tel: 01246 264260 Fax: 01246 455281			
TITLE GA drawing for ClassII Hybrid FSP Isolating transformer 230/110V 3000VA 054/212584 PA05/05325			
SIZE A4	DATE 01/08/2013	DWG NO A4-TB099-GA	REV 5
SCALE NTS	SHEET 1 of 1		