

Certificate no. 4001132

TB132
PRODUCT DATA
054/212585
PA05/05325

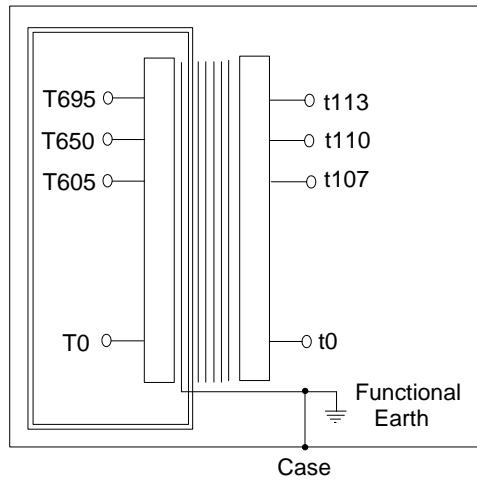
Whitting Valley Road, Old Whittington, Chesterfield, Derbyshire S41 9EY UK
 Telephone: +44 (0) 1246 264260 Fax: +44 (0) 1246 455281
 Web: www.trans-tronic.co.uk E mail: sales@trans-tronic.co.uk

COIL WINDING – TRANSFORMER DESIGN & MANUFACTURE

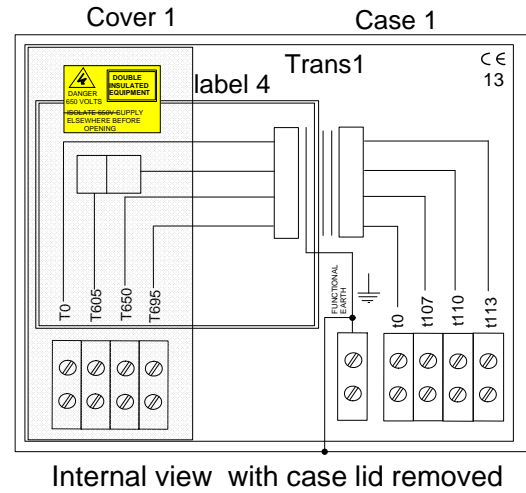
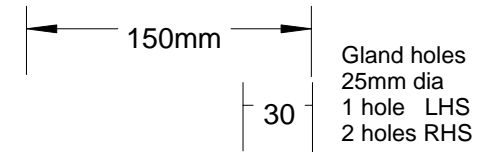
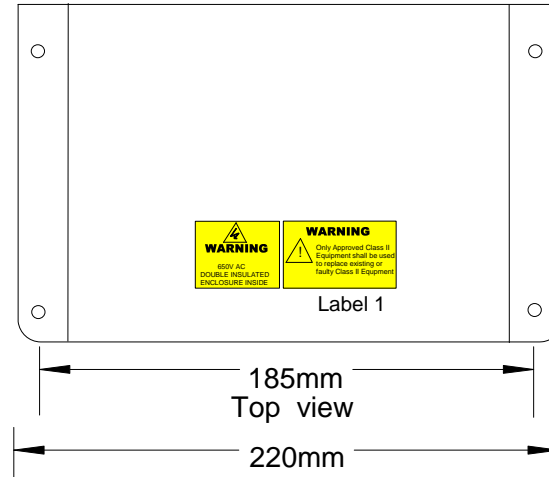
Description:	Class II Hybrid FSP Isolating Transformer NR/L2/SIG/30007 650/230V 250VA
--------------	---



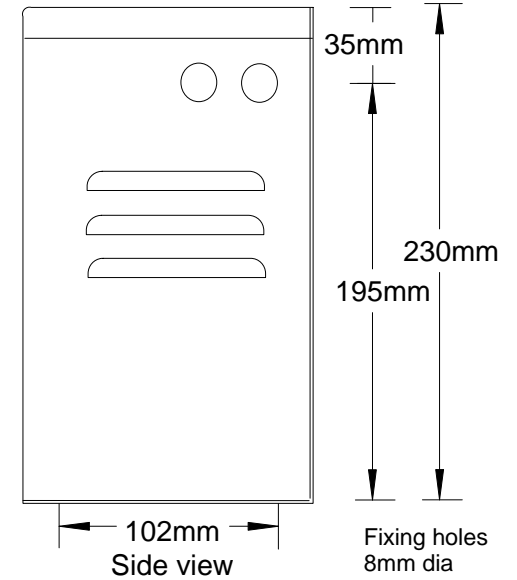
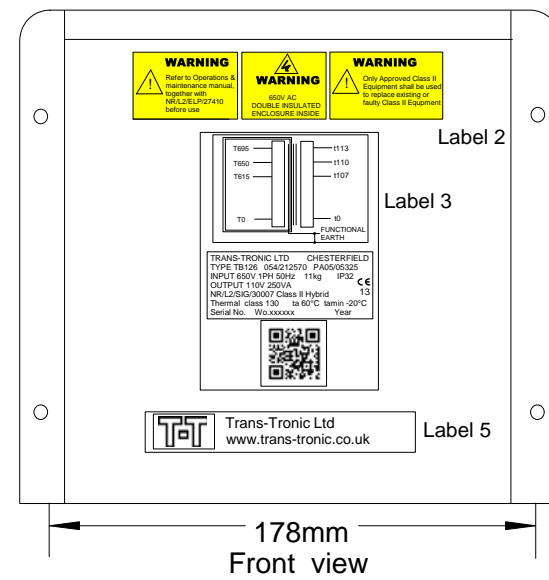
Dimensions	220x150x 230mm high	11Kg	Colour	BS381c shade 632 Dark Admiralty Grey	
General arrangement drawing	GA-TB132 overleaf		O&M Manual :	Trans-Tronic ClassII-Hybrid-FSP- Tx O&M	
Primary (Input) ClassII	T0-T605-T650-T695		Secondary (output) ClassI	t0-t224-t230-t236	
Rating	Full load	250VA	Intermittent	300VA for 15 minutes in each hour , 250VA for remaining 45 minutes	
Primary terminals	Screw up clamp	0.2-6mm ²	Secondary terminals	Screw up clamp 0.5-10mm ²	
Functional earth	Screw up clamp	0.5-10mm ²	Enclosure	IP32	
Efficiency	92%	@ 80% load	Regulation	5.0%	Impedance 5.1%
No load loss	8 watts		Full load loss	22 watts	
Primary resistance @ 20°C	46.9 ohms @ 650V		Secondary resistance @ 20°C	4.23 ohms @ 230V	
Primary Inductance	58mH @ 650V		Secondary Inductance	8.0mH @ 230V	
Input current at full load rating	0.45A @ 605V 0.42A @ 650v 0.39A @ 695V		Output current at full load rating	1.09A	
Maximum Input current at intermittent rating	0.54A @ 605V 0.50A @ 650v 0.47A @ 695V		Maximum output current at intermittent rating	1.30A	
Peak inrush current	9.8x FLC (4.1A at 650V)		I ² t	0.13 A ² s	X/R ratio 0.25
Prospective short circuit output current @ 20°C	20A		for 5 seconds		
Insulation resistance (500v)	Primary to core	>100M ohms	Dielectric strength	Primary to core	5.2Kv
	Secondary to core	>100M ohms		Secondary to core	3.8Kv
	Primary to secondary	>100M ohms		Primary to secondary	5.2Kv
Recommended fuse Protection	BS88 & 10x38 gG IEC 60269-1 &-2		1A		
Operational temperature range	-20°C to +60°C		Humidity	Up to 100% RH	
Altitude	<2000 metres above sea level		Issue 4	01/08/2013	



24mm
102mm
24mm



43mm
152mm
35mm



Item	Description	Part No.
Case 1	Transformer case	21-CASE-P2DG
Trans 1	650/110v 250va classII	TT4347
Cover 1	P2 Poly carb	21-P2-COV1
Cover 2	P2 Mylar side layer	21-P2-COV2
Label 1	650VClassIIP2top	02-class2-650P2top
Label 2	650VClassIIP2 front	02-Class2-650P2Front
Label 3	Circuit diagram + Rating plate	TB126CD+RP
Label 4	650VClassII internal	02-class2-650int
Label 5	Trans-Tronic	02-trans-tronic

Trans-Tronic Ltd
Whitting Valley Road, Chesterfield, S41 9EY
Tel: 01246 264260 Fax: 01246 455281

TITLE GA drawing for ClassII Hybrid FSP Isolating transformer
650/110V 250VA TB126 054/212570 PA05/05325

SIZE	DATE	DWG NO	REV
A4	01/08/2013	A4-TB126-GA	5
SCALE		SHEET 1 of 1	
NTS			