



Certificate no. 4001132

TB134
PRODUCT DATA
054/212587
PA05/05325

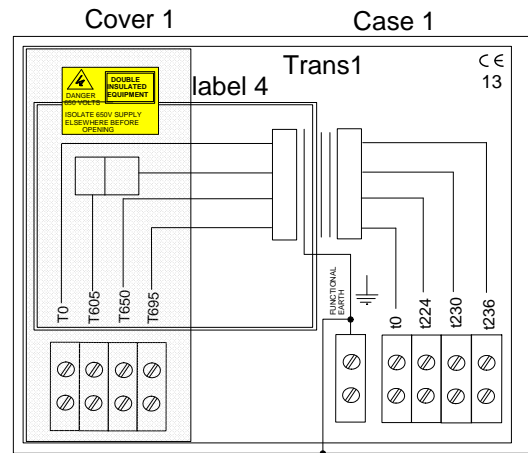
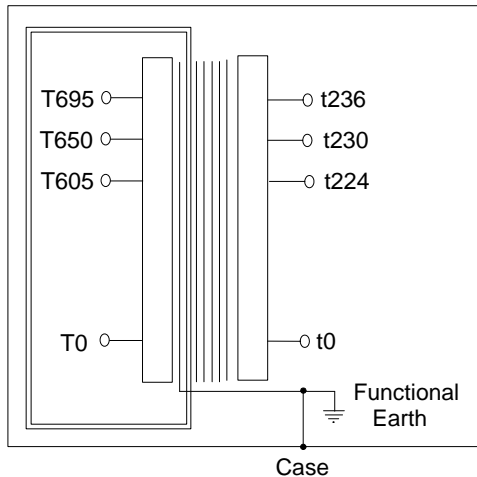
Whitting Valley Road, Old Whittington, Chesterfield, Derbyshire S41 9EY UK
 Telephone: +44 (0) 1246 264260 Fax: +44 (0) 1246 455281
 Web: www.trans-tronic.co.uk E mail: sales@trans-tronic.co.uk

COIL WINDING – TRANSFORMER DESIGN & MANUFACTURE

Description:	Class II Hybrid FSP Isolating Transformer NR/L2/SIG/30007	650/230V 1000VA
--------------	--	------------------------



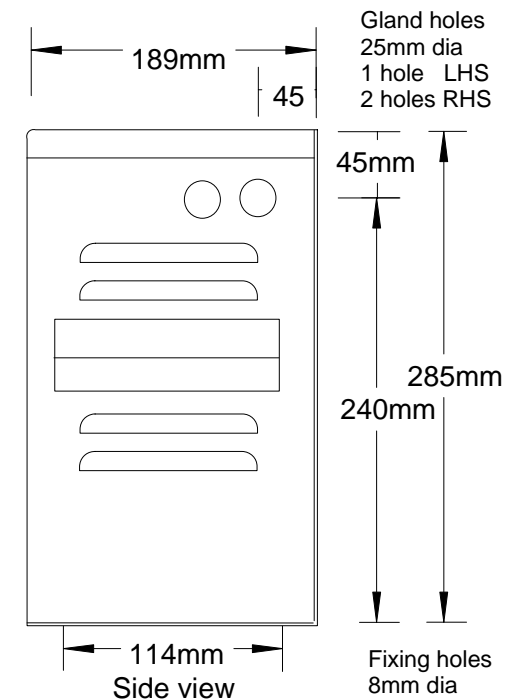
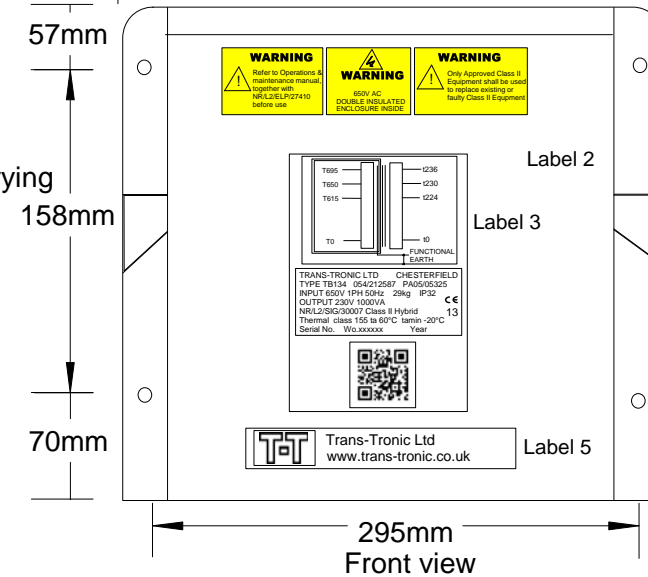
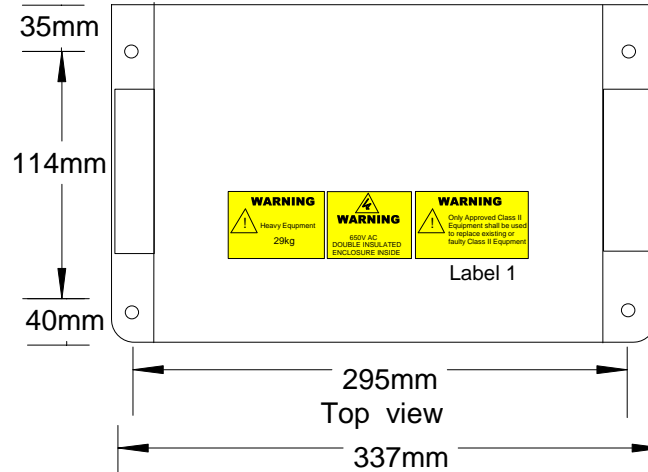
Dimensions	337x189x 285mm high	29kg	Colour	BS381c shade 632 Dark Admiralty Grey	
General arrangement drawing:	GA-TB134 overleaf		O&M Manual:	Trans-Tronic ClassII-Hybrid-FSP- Tx O&M	
Primary (Input) ClassII	T0-T605-T650-T695		Secondary (output) ClassI	t0-t224-t230-t236	
Rating	Full load	1000VA	Intermittent	1200VA for 15 minutes in each hour , 1000VA for remaining 45 minutes	
Primary terminals	Screw up clamp 0.5 -10mm ²		Secondary terminals	Screw up clamp 0.5-10mm ²	
Functional earth	Screw up clamp 0.5-10mm ²		IP32		
Efficiency	94%	Regulation	3.5%	Impedance	3.9%
No load losses	22 watts		Full load losses	60 watts	
Primary resistance @ 20°C	7.4 ohms @ 650V		Secondary resistance @ 20°C	0.87 ohms @ 230V	
Primary Inductance	20mH @ 650V		Secondary Inductance	2.9mH @ 230V	
Input current at full load	1.83A @ 605V 1.67A @ 650v 1.56A @ 695V		Output current at full load (1000VA)	4.37A	
Input current at 120% of full load (15 minutes in each hour)	2.11A @ 605V 1.96A @ 650v 1.83A @ 695V		Output current at 120% full load (1200VA)	5.20A	
Peak inrush current	9.5x FLC (15.9A at 650V)		I _{2t}	2 A ² s	X/R ratio 0.44
Prospective short circuit current @ 20°C	100A for 5 seconds				
Insulation resistance (500v)	Primary to core >100M ohms		Dielectric strength	Primary to core 5.2Kv	
	Secondary to core >100M ohms			Secondary to core 3.8Kv	
	Primary to secondary >100M ohms			Primary to secondary 5.2Kv	
Recommended fuse Protection	Max load <1000VA	BS88 & 10x38 gG IEC 60269-1 &-2	2A		
	Max load=>1000VA	BS88 & 10x38 gG IEC 60269-1 &-2	4A		
Operational temperature range	-20°C to +60°C		Humidity	Up to 100% RH	
Altitude	<2000 metres above sea level		Issue 4	01/08/2013	



Primary Terminals
0.5-10mm² cable

Secondary Terminals
0.5-10mm² cable

Functional Earth
0.5-10mm² cable



Item	Description	Part No.
Case 1	Transformer case	21-CASE-P4DG
Trans 1	650/230v 1000va classII	TT4359
Cover 1	P4class2 Poly carb	21-P4-COV1
Cover 2	P4 Mylar side layer	21-P4-COV2
Label 1	650VClassIIP4top	02-class2-650P4top
Label 2	650VClassIIP4front	02-Class2-650P4Front
Label 3	Circuit diagram + Rating plate	TB134 CD+RP
Label 4	650VClassII internal	02-class2-650int
Label 5	Trans-Tronic	02-trans-tronic

Trans-Tronic Ltd
Whitting Valley Road, Chesterfield, S41 9EY
Tel: 01246 264260 Fax: 01246 455281

TITLE GA drawing for ClassII Hybrid FSP Isolating transformer
650/230V 1000VA 054/212587 PA05/05325

SIZE A4	DATE 01/08/2013	DWG NO A4-TB134-GA	REV 5
SCALE NTS		SHEET 1 of 1	