



Certificate no. 4001132

TB143
PRODUCT DATA
054/212588
PA05/05325

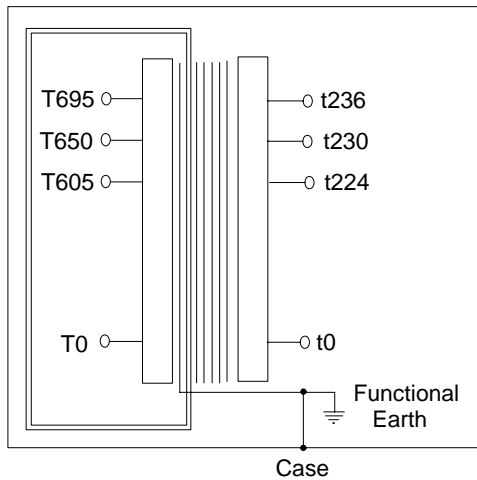
Whitting Valley Road, Old Whittington, Chesterfield, Derbyshire S41 9EY UK
 Telephone: +44 (0) 1246 264260 Fax: +44 (0) 1246 455281
 Web: www.trans-tronic.co.uk E mail: sales@trans-tronic.co.uk

COIL WINDING – TRANSFORMER DESIGN & MANUFACTURE

Description:	Class II Hybrid FSP Isolating Transformer NR/L2/SIG/30007	650/230V 1500VA
--------------	--	-----------------



Dimensions	340x280x 280mm high	43kg	Colour	BS381c shade 632	Dark Admiralty Grey
General arrangement drawing:	GA-TB143 overleaf		O&M Manual:	Trans-Tronic ClassII-Hybrid-FSP- Tx O&M	
Primary (Input) ClassII	T0-T605-T650-T695		Secondary (output) ClassI	t0-t224-t230-t236	
Rating	Full load	1500VA	Intermittent 1800VA for 15 minutes in each hour , 1500VA for remaining 45 minutes		
Primary terminals	Screw up clamp	0.5 -10mm ²	Secondary terminals	Screw up clamp 0.5-10mm ²	
Functional earth	Screw up clamp	0.5-10mm ²	Enclosure	IP32	
Efficiency	95%	Regulation	2.7%	Impedance	3.3%
No load losses	28 watts		Full load losses	70 watts	
Primary resistance @ 20°C	3.9 ohms @ 650V		Secondary resistance @ 20°C	0.48 ohms @ 230V	
Primary Inductance	16mH @ 650V		Secondary Inductance	2.2mH @ 230V	
Input current at full load	2.7A @ 605V 2.3A @ 650v 2.5A @ 695V		Output current at full load (1500VA)	6.5A	
Input current at 120% of full load (15 minutes in each hour)	3.2A @ 605V 3.0A @ 650v 2.84A @ 695V		Output current at 120% full load (1800VA)	7.8A	
Peak inrush current	9.3 FLC (21.4A at 650V)		I _{2t}	3.9 A ² s	X/R ratio 0.70
Prospective short circuit current @ 20°C	100A for 5 seconds				
Insulation resistance (500v)	Primary to core >100M ohms		Dielectric strength	Primary to core 5.2Kv	
	Secondary to core >100M ohms			Secondary to core 3.8Kv	
	Primary to secondary >100M ohms			Primary to secondary 5.2Kv	
Recommended fuse Protection	BS88 & 10x38 gG IEC 60269-1 &-2 4A				
Operational temperature range	-20°C to +60°C		Humidity	Up to 100% RH	
Altitude	<2000 metres above sea level		Issue 4	01/08/2013	

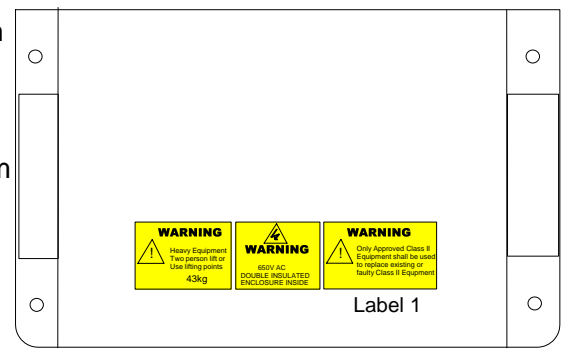


Primary Terminals
0.5-10mm² cable

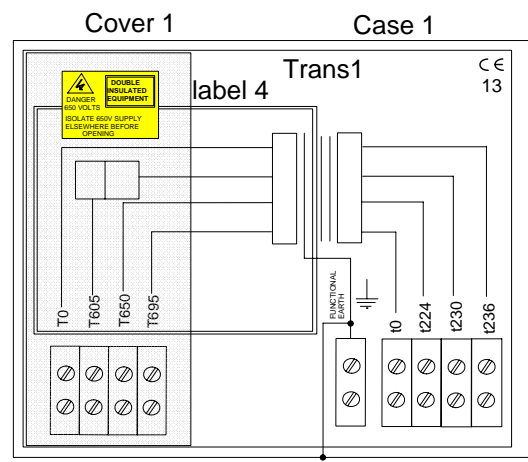
Secondary Terminals
0.5-10mm² cable

Functional Earth
0.5-10mm² cable

65mm
137mm

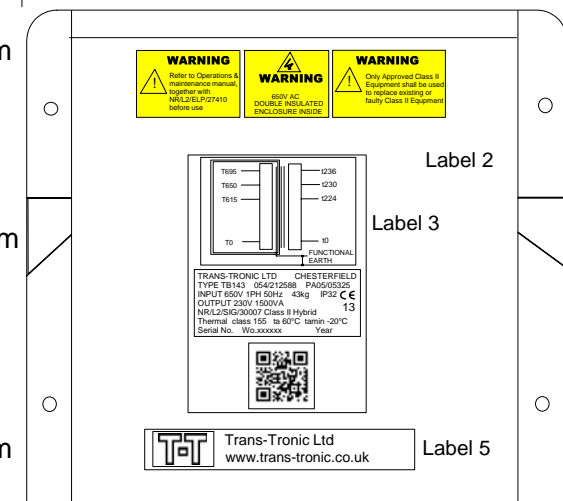


305mm
Top view
340mm

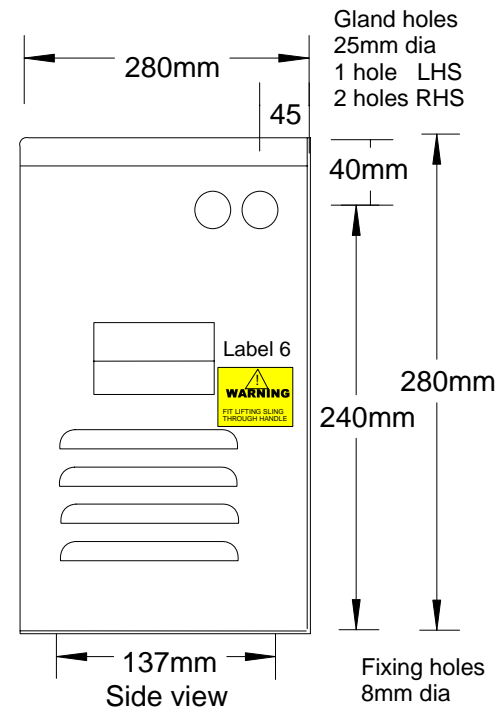


Internal view with case lid removed

52mm
180mm



310mm
Front view



137mm
Side view

Combined carrying handle and lifting point

cable clamp
Cover 2

Item	Description	Part No.
Case 1	Transformer case	21-CASE-P5DG
Trans 1	650/230v 1500va classII	TT4510
Cover 1	P5class2 Poly carb	21-P5-COV1
Cover 2	P5 Mylar side layer	21-P5-COV2
Label 1	650VClassIIP5top	02-class2-650P5top
Label 2	650VClassIIP5front	02-Class2-650P5Front
Label 3	Circuit diagram + Rating plate	TB143 CD+RP
Label 4	650VClassII internal	02-class2-650int
Label 5	Trans-Tronic	02-trans-tronic
Label 6	Lifting warning	02-class2-lifting



Trans-Tronic Ltd Whitting Valley Road, Chesterfield, S41 9EY Tel: 01246 264260 Fax: 01246 455281			
TITLE GA drawing for ClassII Hybrid FSP Isolating transformer 650/230V 1500VA 054/212588 PA05/05325			
SIZE A4	DATE 01/08/2013	DWG NO A4-TB143-GA	REV 5
SCALE NTS	SHEET 1 of 1		