



Certificate no. 4001132

TB144
PRODUCT DATA
054/212589
PA05/05325

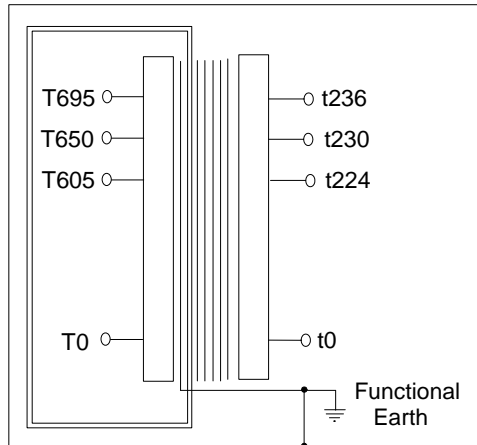
Whitting Valley Road, Old Whittington, Chesterfield, Derbyshire S41 9EY UK
 Telephone: +44 (0) 1246 264260 Fax: +44 (0) 1246 455281
 Web: www.trans-tronic.co.uk E mail: sales@trans-tronic.co.uk

COIL WINDING – TRANSFORMER DESIGN & MANUFACTURE

Description:	Class II Hybrid FSP Isolating Transformer	NR/L2/SIG/30007	650/230V 3000VA
--------------	--	------------------------	------------------------



Dimensions 384x302x 370mm high	Weight 60Kg	Colour BS381c shade 632	Dark Admiralty Grey
General arrangement drawing: GA-TB144 overleaf		O&M Manual : Trans-Tronic ClassII-Hybrid-FSP- Tx O&M	
Primary (Input) ClassII T0-T605-T650-T695		Secondary (output) ClassI t0-t224-t230-t236	
Rating Full load 3000VA Intermittent 3600VA for 15 minutes in each hour , 3000VA for remaining 45 minutes			
Primary terminals Screw up clamp 0.5 -10mm ²		Secondary terminals Screw up clamp 0.5-10mm ²	
Functional earth Screw up clamp 0.5-10mm ²		Enclosure IP32	
Efficiency 96%	Regulation 2.4%	Impedance 3.5%	
No load losses 50 watts		Full load losses 120 watts	
Primary resistance @ 20°C 1.64 ohms @ 650V Primary Inductance 10.4mH @ 650V		Secondary resistance @ 20°C 0.20 ohms @ 230V Secondary Inductance 1.4mH @ 230V	
Input current at full load 5.2A @ 605V 4.9A @ 650v 4.5A @ 695V		Output current at full load (3000VA) 13.1A	
Input current at 120% of full load (15 minutes in each hour) 6.2A @ 605V 5.85A @ 650v 5.4A @ 695V		Output current at 120% full load (3600VA) 15.6A	
Peak inrush current 9.3x FLC (46A at 650V)		I ² t 15 A ² s	X/R ratio 1.0
Prospective short circuit current @ 20°C 365A for 5 seconds			
Insulation resistance (500v) Primary to core >100M ohms Secondary to core >100M ohms Primary to secondary >100M ohms		Dielectric strength Primary to core 5.2Kv Secondary to core 3.8Kv Primary to secondary 5.2Kv	
Recommended fuse Protection Max load <3000VA Max load=>3000VA		BS88 & 10x38 gG IEC 60269-1 &-2 6A BS88 10A 10x38 gG IEC 60269-1 &-2 8A	
Operational temperature range -20°C to +60°C		Humidity Up to 100% RH	
Altitude <2000 metres above sea level		Issue 4 01/08/2013	

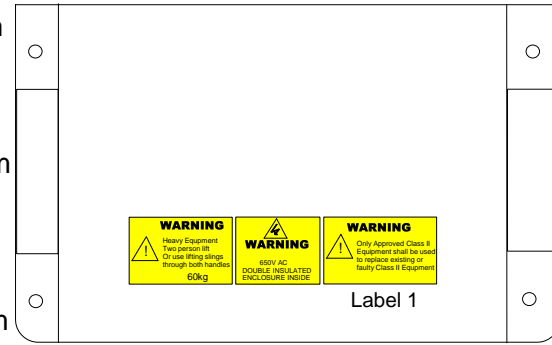


Primary Terminals
0.5-10mm² cable

Secondary Terminals
0.5-10mm² cable

Functional Earth
0.5-10mm² cable

70mm
162mm
70mm

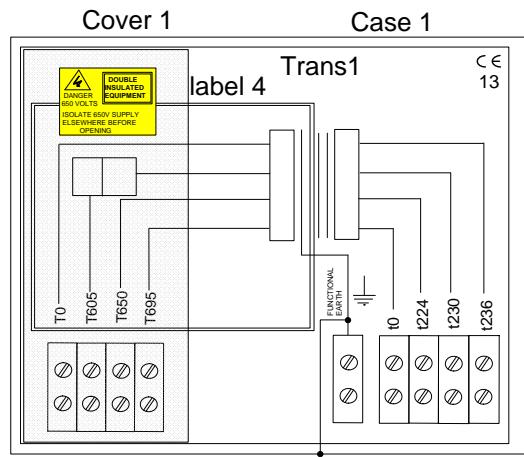


318mm
Top view
384mm

302mm
45
45mm
370mm
325mm
370mm
325mm

Gland holes
25mm dia
1 hole LHS
2 holes RHS

Fixing holes
8mm dia

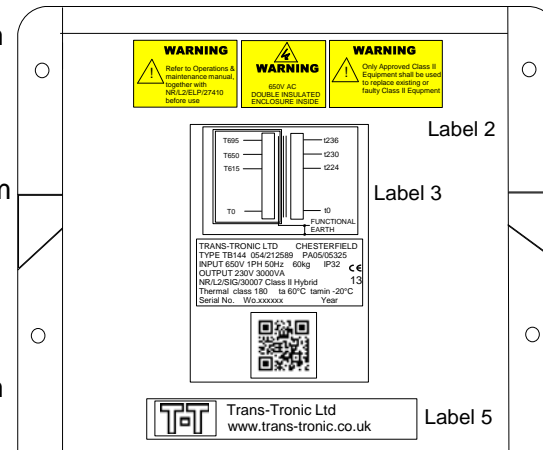


Internal view with case lid removed

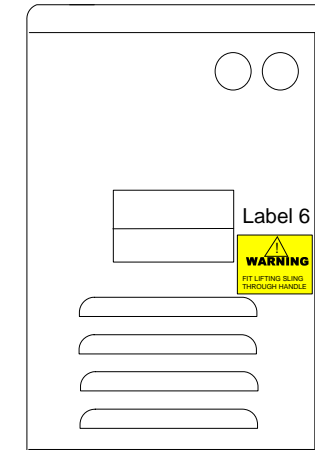
cable clamp
Cover 2

45mm
254mm
60mm
Combined carrying handle and lifting point

45mm
254mm
60mm



344mm
Front view



162mm
Side view

Item	Description	Part No.
Case 1	Transformer case	21-CASE-P6DG
Trans 1	650/230v 3000va classII	TT4511
Cover 1	P6class2 Poly carb	21-P6-COV1
Cover 2	P6 Mylar side layer	21-P6-COV2
Label 1	650VClassIIP6top	02-class2-650P6top
Label 2	650VClassII P6front	02-Class2-650P6Front
Label 3	Circuit diagram + Rating plate	TB144 CD+RP
Label 4	650VClassII internal	02-class2-650int
Label 5	Trans-Tronic	02-trans-tronic
Label 6	Lifting warning	02-class2-lifting



Trans-Tronic Ltd Whitting Valley Road, Chesterfield, S41 9EY Tel: 01246 264260 Fax: 01246 455281			
TITLE GA drawing for ClassII Hybrid FSP Isolating transformer 650/230V 3000VA 054/212589 PA05/05325			
SIZE A4	DATE 01/08/2013	DWG NO A4-TB144-GA	REV 5
SCALE NTS	SHEET 1 of 1		