



Certificate no. 4001132

TB209
PRODUCT DATA
054/212592
PA05/05325

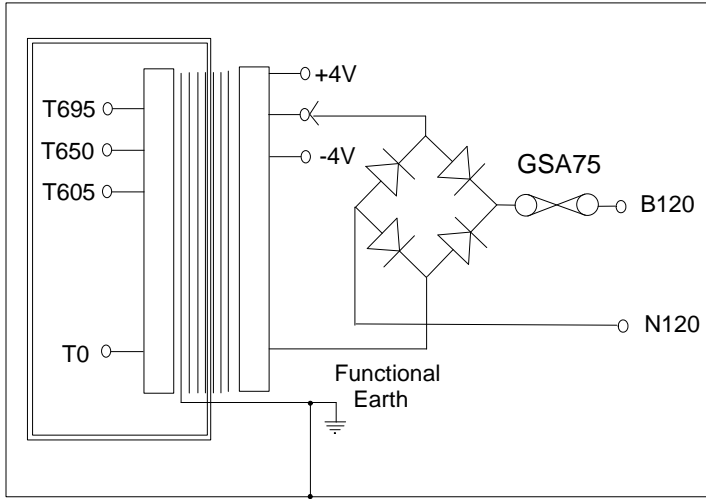
Whitting Valley Road, Old Whittington, Chesterfield, Derbyshire S41 9EY UK
 Telephone: +44 (0) 1246 264260 Fax: +44 (0) 1246 455281
 Web: www.trans-tronic.co.uk E mail: sales@trans-tronic.co.uk

COIL WINDING – TRANSFORMER DESIGN & MANUFACTURE

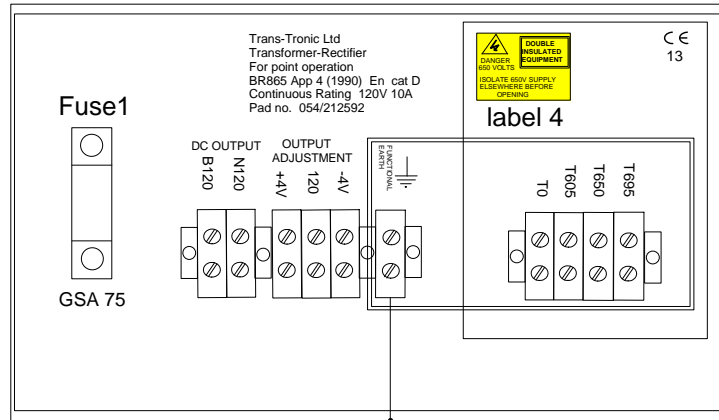
Description:	Class II Hybrid Transformer Rectifier for Point Machines NR/L2/SIG/30007 BR865 type C 650/120v @ 10A DC
--------------	--



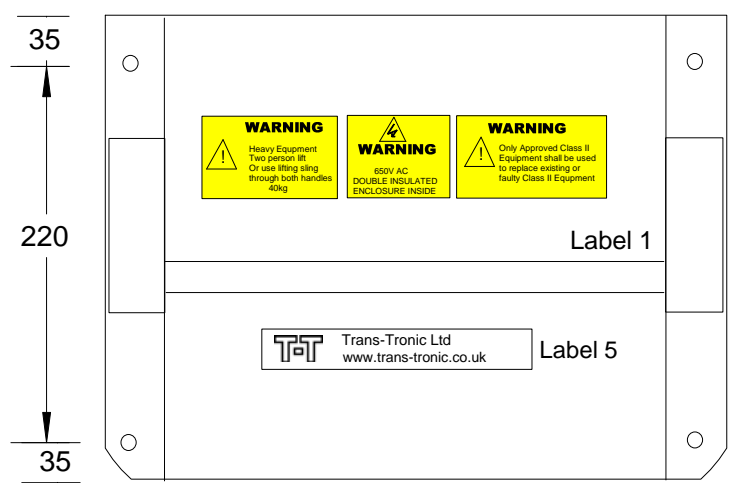
Dimensions	420x290x 250mm high	Weight	40Kg	Colour	BS381c shade 632 Dark Admiralty Grey
General arrangement drawing	GA-TB209 overleaf			O&M Manual:	Trans-Tronic ClassII-Hybrid Point machine Tj
Primary (Input) ClassII	T0-T605-T650-T695			Output ClassI	B120 N120 with ±4v taps 10A continuous
Primary terminals	Screw up clamp 0.5 -6mm ²			Secondary terminals	Screw up clamp 0.5-16mm ²
Functional earth	Screw up clamp 0.5-16mm ²			Enclosure	IP32
Suitable for driving 4 x style 63 point motors , 4 x HW2xxx series, 4 x HPSS point motors 8 x clamp lock point motors , 2 x Hydrive point motor					
Primary resistance 2.01ohms @ 650V Primary Inductance 10.6mH			Secondary resistance 0.090 ohms Secondary Inductance 0.52mH		
Duty cycle 1 140A surge for 0.1 seconds 60A clutch slipping 0.4 seconds 20A Drive for 10 seconds Every 1 minutes		Duty cycle 2 140A surge for 0.1 seconds 80A clutch slipping 0.4 seconds 40A Drive for 10 seconds Every 2 minutes		Duty cycle 3 140A surge for 0.1 seconds 80A clutch slipping 0.4 seconds 48A Drive for 10 seconds Every 3 minutes	
Input current at 650V 2.6A @ 10A Continuous Output 10.0A @ 40A Drive Output 19.8A @ 80A Clutch slipping Output			Output Voltage at 650v input No load <134V 40A DC Output 120±2V 80A DC Output >110V		
Peak inrush current 9.3x FLC (94A at 650V)			I ² t 66A ² s		X/R ratio 0.76
Insulation resistance (500v) Primary to body >100M ohms Secondary to body >100M ohms Primary to secondary >100M ohms			Dielectric strength Primary to body 5.2Kv Secondary to body 2.8Kv Primary to secondary 5.2Kv		Impulse withstand 8Kv
Recommended fuse Protection BS88 & 10x38gG IEC 60269-1 & 2 10A for 40A Drive 12A for 48A Drive					
Operational temperature range -20°C to +60°C			Humidity Up to 100% RH		
Altitude <2000 metres above sea level			Issue 3 01/08/2013		



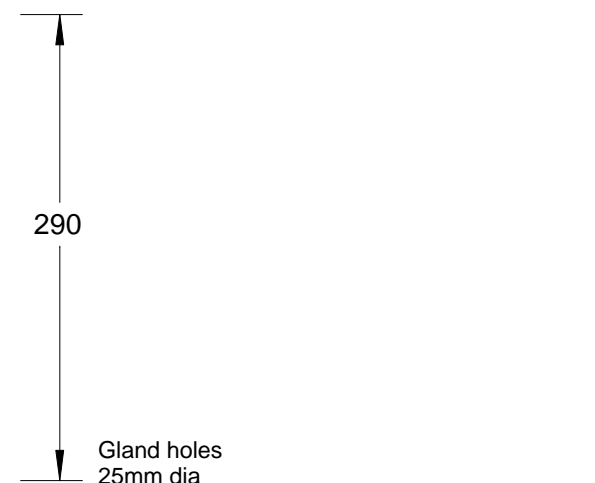
CASE Case 1 Cover 1



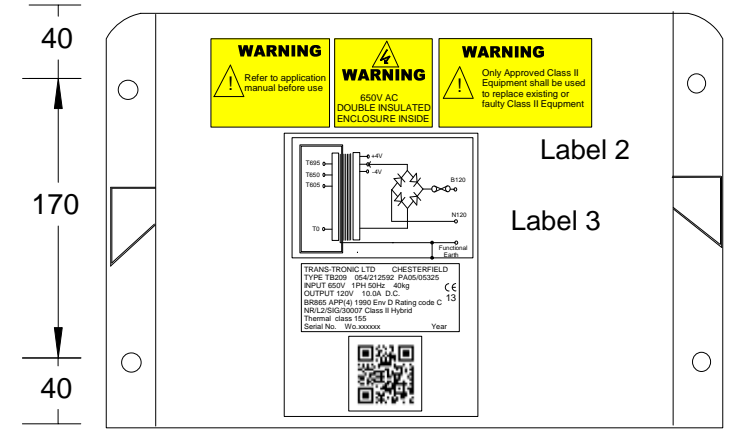
Internal view with case lid removed



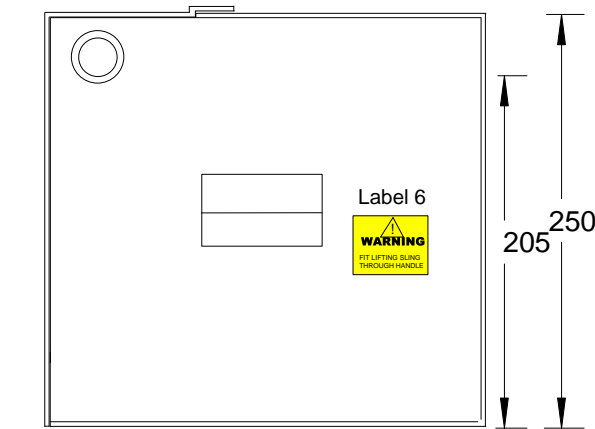
Top view



Gland holes
25mm dia
2 hole LHS
1 holes RHS



Front view



Side view Fixing holes 8mm dia

Item	Description	Part No.
Case 1	Trans/Rect case	21-CASE-TR3DG
Trans 1	650/120v 10A classII	TT4490
Cover 1	TR3 Poly carb	21-TR3-COV1
Fuse1	Rectifier Fuse GSA75	01-75A-GSA
Label 1	650VClassIITR3top	02-class2-650TR3top
Label 2	650VClassIITR3front	02-Class2-650TR3front
Label 3	Circuit diagram + Rating plate	TB209CD+RP
Label 4	650VClassII internal	02-class2-650int
Label 5	TRANS-TRONIC	02-Trans-Tronic
Label 6	Lifting warning	02-class2-lifting

Trans-Tronic Ltd
Whitting Valley Road, Chesterfield, S41 9EY
Tel: 01246 264260 Fax: 01246 455281

TITLE GA drawing for ClassII Hybrid points machine
650/120V @ 10A cont DC 054/212592 PA05/05325

SIZE A4	DATE 01/08/2013	DWG NO A4-TB209-GA	REV 4
SCALE		SHEET 1 of 1	