



Certificate no. 4001132

**TB129**  
**PRODUCT DATA**  
**054/212573**  
**PA05/05325**

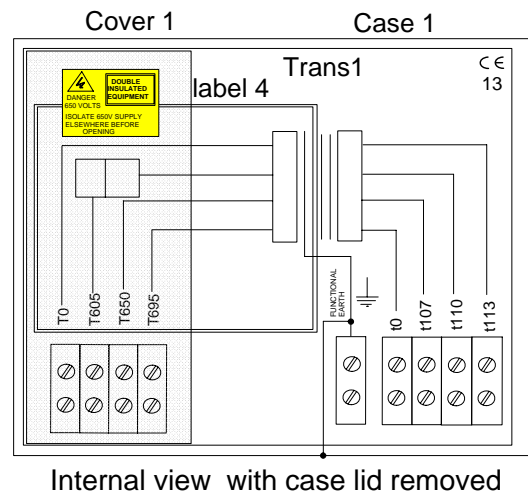
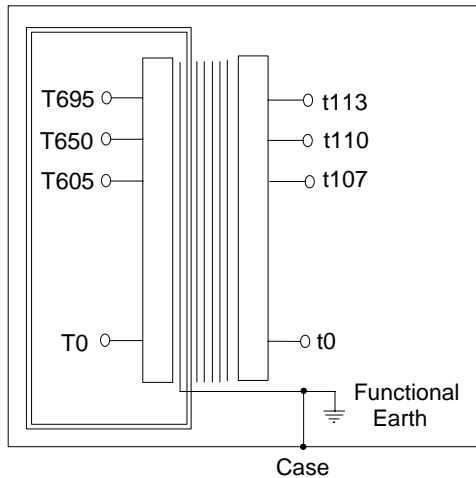
Whitting Valley Road, Old Whittington, Chesterfield, Derbyshire S41 9EY UK  
 Telephone: +44 (0) 1246 264260 Fax: +44 (0) 1246 455281  
 Web: www.trans-tronic.co.uk E mail: sales@trans-tronic.co.uk

**COIL WINDING – TRANSFORMER DESIGN & MANUFACTURE**

Description:	<b>Class II Hybrid FSP Isolating Transformer</b> <b>NR/L2/SIG/30007</b>	<b>650/110V 1500VA</b>
--------------	--	------------------------

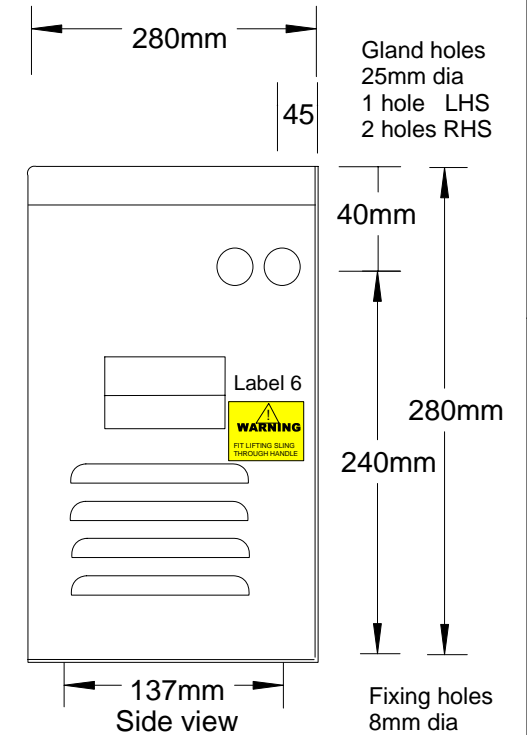
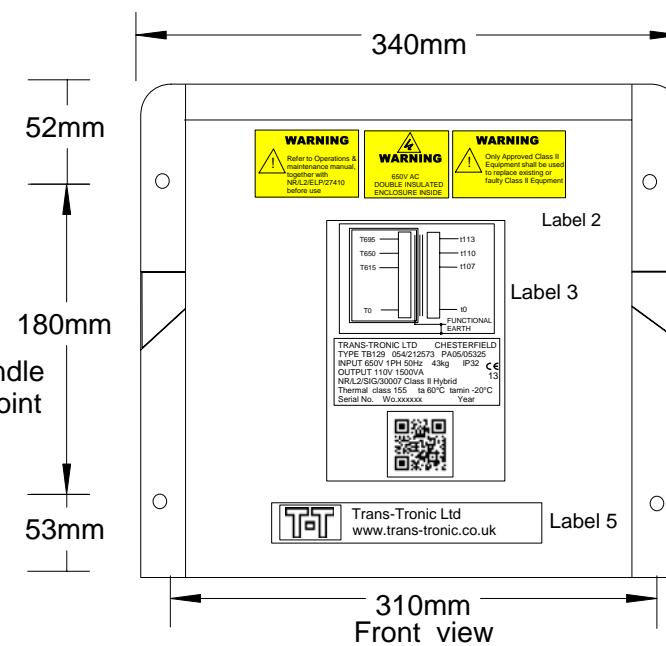
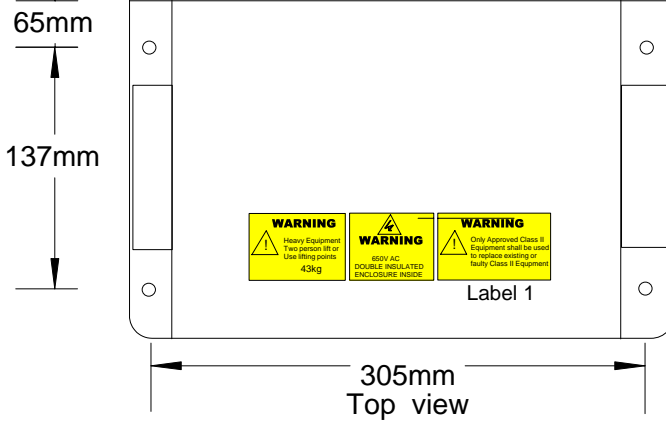


Dimensions	340x280x 280mm high	Weight	43Kg	BS381c shade 632	Dark Admiralty Grey
General arrangement drawing	GA-TB129 overleaf		O&M Manual :	Trans-Tronic ClassII-Hybrid-FSP- Tx O&M	
Primary (Input)	ClassII T0-T605-T650-T695		Secondary (output)	ClassI t0-t107-t110-t113	
Rating	Full load	1500VA		Intermittent 1800VA for 15 minutes in each hour , 1500VA for remaining 45 minutes	
Primary terminals	Screw up clamp 0.5 -10mm <sup>2</sup>		Secondary terminals	Screw up clamp 0.5-10mm <sup>2</sup>	
Functional earth	Screw up clamp 0.5-10mm <sup>2</sup>		Enclosure	IP32	
Efficiency	95%	Regulation	2.7%	Impedance	3.3%
No Load losses	28 watts		Full load losses	70 watts	
Primary resistance @ 20°C	3.9ohms @ 650V		Secondary resistance @ 20°C	0.10 ohms @ 110V	
Primary Inductance	16mH @ 650V		Secondary Inductance	0.49mH @ 110V	
Input current at full load	2.6A @ 605V 2.4A @ 650v 2.3A @ 695V		Output current at full load (1500VA)	3.6A	
Input current at 120% of full load (15 minutes in each hour)	3.1A @ 605V 2.9A @ 650v 2.7A @ 695V		Output current at 120% full load (1800VA)	16.3A	
Peak inrush current	9.3x FLC (22.5A at 650V)		I <sup>2</sup> t	3.8 A <sup>2</sup> s	X/R ratio 0.70
Prospective short circuit current @ 20°C	380A for 5 seconds				
Insulation resistance (500v)	Primary to body >100M ohms		Dielectric strength	Primary to body 5.2Kv	
	Secondary to body >100M ohms			Secondary to body 2.8Kv	
	Primary to secondary body >100M ohms			Primary to secondary body 5.2Kv	
Recommended fuse Protection	BS88 & 10x38 gG IEC 60269-1 &-2		4A		
Operational temperature range	-20°C to +60°C		Humidity	Up to 100% RH	
Altitude	<2000 metres above sea level		Issue 4	01/08/2013	



cable clamp  
Cover 2

Item	Description	Part No.
Case 1	Transformer case	21-CASE-P5DG
Trans 1	650/110v 1500va classII	TT4348
Cover 1	P5class2 Poly carb	21-P5-COV1
Cover 2	P5 Mylar side layer	21-P5-COV2
Label 1	650VClassIIP5top	02-class2-650P5top
Label 2	650VClassIIP5front	02-Class2-650P5Front
Label 3	Circuit diagram + Rating plate	TB129 CD+RP
Label 4	650VClassII internal	02-class2-650int
Label 5	Trans-Tronic	02-trans-tronic
Label 6	Lifting warning	02-class2-lifting



Trans-Tronic Ltd Whitting Valley Road, Chesterfield, S41 9EY Tel: 01246 264260 Fax: 01246 455281			
TITLE GA drawing for ClassII Hybrid FSP Isolating transformer 650/110V 1500VA TB129 054/212573 PA05/05325			
SIZE <b>A4</b>	DATE 01/08/2013	DWG NO A4-TB129-GA	REV 5
SCALE NTS	SHEET 1 of 1		