



Certificate no. 4001132

TB204
PRODUCT DATA
054/212593
PA05/05325

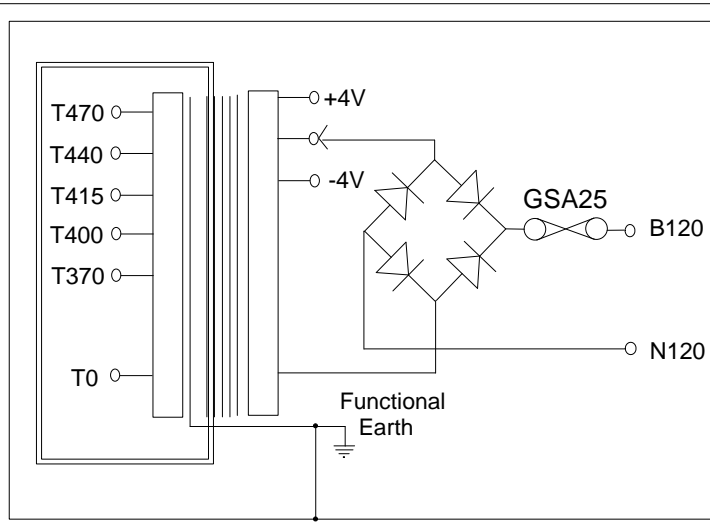
Whitting Valley Road, Old Whittington, Chesterfield, Derbyshire S41 9EY UK
 Telephone: +44 (0) 1246 264260 Fax: +44 (0) 1246 455281
 Web: www.trans-tronic.co.uk E mail: sales@trans-tronic.co.uk

COIL WINDING – TRANSFORMER DESIGN & MANUFACTURE

Description:	Class II Hybrid Transformer Rectifier for Point Machines NR/L2/SIG/30007 BR865 type A 440/120v @ 2.5A DC
--------------	---

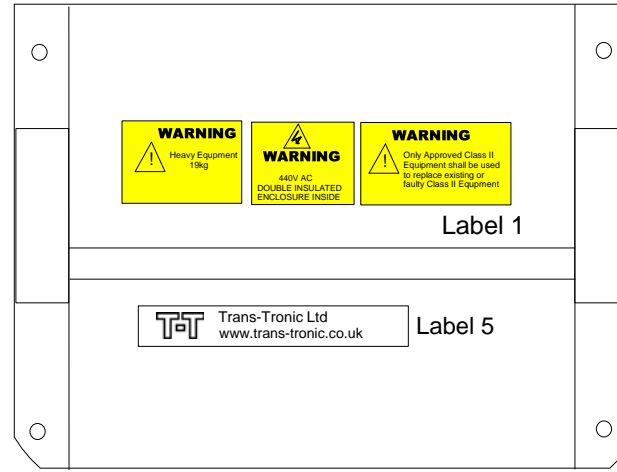


Dimensions	405x270x 200mm high	Weight	19Kg	Colour	BS381c shade 632 Dark Admiralty Grey
General arrangement drawing	GA-TB204 overleaf			O&M Manual:	Trans-Tronic ClassII-Hybrid Point machine Tj
Primary (Input) ClassII	T0-T370-T400-T415-T440-T470	Output ClassI	B120 N120 with ±4v taps 2.5A continuous		
Primary terminals	Screw up clamp 0.5 -6mm ²	Secondary terminals	Screw up clamp 0.5-10mm ²		
Functional earth	Screw up clamp 0.5-10mm ²	Enclosure	IP32		
Suitable for driving 1x style 63 point motors , 1 x HW2xxx series, 1 x HPSS point motors, 2 x clamp lock point motors					
Primary resistance 4.3ohms @ 415V Primary Inductance 9.1mH		Secondary resistance 0.44 ohms Secondary Inductance 1.2mH			
Duty cycle 1 35A surge for 0.1 seconds 15A clutch slipping 0.4 seconds 10A Drive for 10 seconds Every 1 minutes		Duty cycle 2 35A surge for 0.1 seconds 20A clutch slipping 0.4 seconds 10A Drive for 10 seconds Every 2 minutes		Duty cycle 3 35A surge for 0.1 seconds 20A clutch slipping 0.4 seconds 12A Drive for 10 seconds Every 3 minutes	
Input currents at 400V 415V 440V 1.04A 1.0A 0.95A @ 2.5A Continuous Output 4.2A 4.0A 3.80A @ 10A Drive Output 8.3A 8.0A 7.5A @ 20A Clutch slipping Output			Output Voltage No load <134V 10A DC Output 120±2V 20A DC Output >110V		
Peak inrush current	9.6x FLC (38.4A at 415V)	I ² t	12A ² s @415V	X/R ratio	0.35
Insulation resistance (500v) Primary to body >100M ohms Secondary to body >100M ohms Primary to secondary >100M ohms		Dielectric strength Primary to body 4.8Kv Secondary to body 2.8Kv Primary to secondary 4.8Kv		Impulse withstand 8Kv	
Recommended fuse Protection BS88 & 10x38gG IEC 60269-1 & 2 6A					
Operational temperature range		-20°C to +60°C		Humidity Up to 100% RH	
Altitude		<2000 metres above sea level		Issue 3 01/08/2013	



CASE

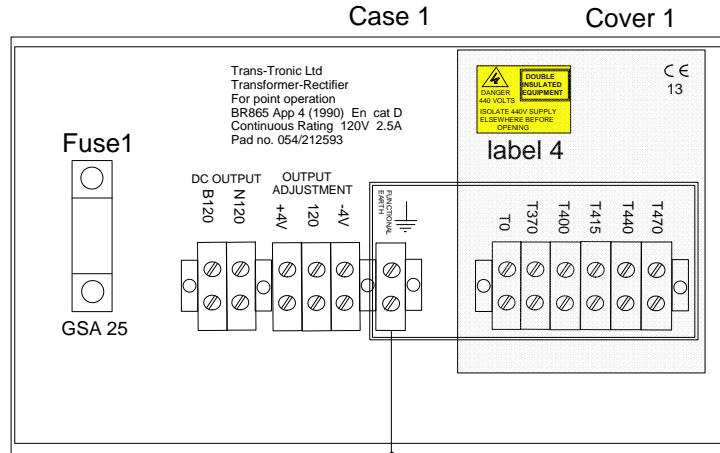
35
200
35



Top view

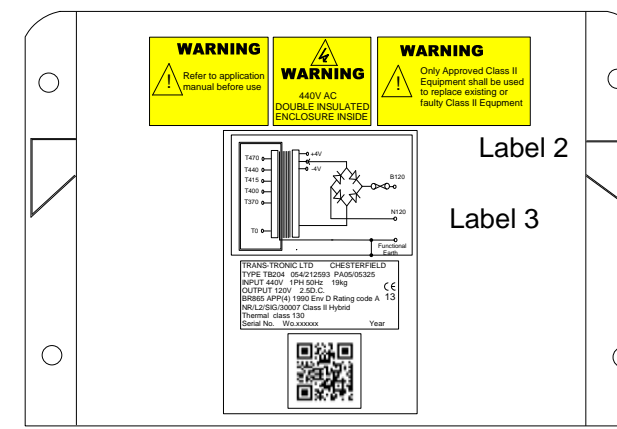
270

Gland holes
25mm dia
2 hole LHS
1 holes RHS

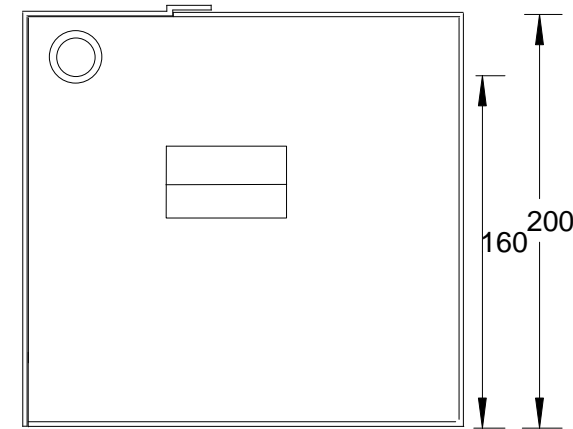


Internal view with case lid removed

40
120
40



Front view



Side view

Fixing holes
8mm dia

375mm
405mm

200mm

Item	Description	Part No.
Case 1	Trans/Rect case	21-CASE-TR2DG
Trans 1	440/120v 2.5A classII	TT4486
Cover 1	TR2 Poly carb	21-TR2-COV1
Fuse1	Rectifier Fuse GSA25	01-25A-GSA
Label 1	440VClassIITR1top	02-class2-440TR1top
Label 2	440VClassIITR1 front	02-class2-440TR1front
Label 3	Circuit diagram + Rating plate	TB204CD+RP
Label 4	440VClassII internal	02-class2-440int
Label 5	TRANS-TRONIC	02-Trans-Tronic

Trans-Tronic Ltd
Whitting Valley Road, Chesterfield, S41 9EY
Tel: 01246 264260 Fax: 01246 455281

TITLE GA drawing for ClassII Hybrid points machine
440/120V @ 2.5A cont DC 054/212593 PA05/05325

SIZE A4	DATE 01/08/2013	DWG NO A4-TB204-GA	REV 3
SCALE NTS		SHEET 1 of 1	