



Certificate no. 4001132

TB093
PRODUCT DATA
054/212574
PA05/05325

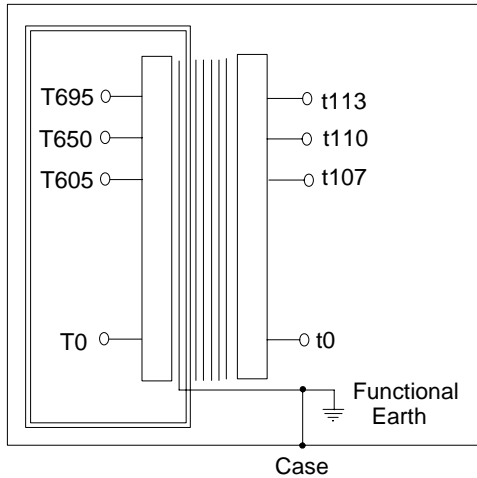
Whitting Valley Road, Old Whittington, Chesterfield, Derbyshire S41 9EY UK
 Telephone: +44 (0) 1246 264260 Fax: +44 (0) 1246 455281
 Web: www.trans-tronic.co.uk E mail: sales@trans-tronic.co.uk

COIL WINDING – TRANSFORMER DESIGN & MANUFACTURE

Description:	Class II Hybrid FSP Isolating Transformer NR/L2/SIG/30007	650/110V 3000VA
--------------	----------------------------------------------------------------------------	------------------------



Dimensions	384x302x 370mm high	Weight	60Kg	Colour	BS381c shade 632	Dark Admiralty Grey	
General arrangement drawing :	GA-TB093 overleaf			O&M Manual :	Trans-Tronic ClassII-Hybrid-FSP- Tx O&M		
Primary (Input) ClassII	T0-T605-T650-T695			Secondary (output) ClassI	t0-t107-t110-t113		
Rating	Full load 3000VA Intermittent 3600VA for 15 minutes in each hour , 3000VA for remaining 45 minutes						
Primary terminals	Screw up clamp 0.5 -10mm ²			Secondary terminals	Screw up clamp 0.5-10mm ²		
Functional earth	Screw up clamp 0.5-10mm ²			IP32			
Efficiency	96%		Regulation	2.4%		Impedance	3.4%
No load losses	50 watts			Full load losses	120 watts		
Primary resistance @ 20°C	1.64 ohms @ 650V			Secondary resistance @ 20°C	0.046 ohms @ 110V		
Primary Inductance	10.4mH @ 650V			Secondary Inductance	0.32mH @ 110V		
Input current at full load	5.2A @ 605V 4.9A @ 650v 4.5A @ 695V			Output current at full load (3000VA)	27.3A		
Input current at 120% of full load (15 minutes in each hour)	6.2A @ 605V 5.8A @ 650v 5.4A @ 695V			Output current at 120% full load (3600VA)	32.7A		
Peak inrush current	9.4x FLC (46A at 650V)			I _{pt}	15 A ² s		
Prospective short circuit current @ 20°C				720A for 5 seconds			
Insulation resistance (500v)	Primary to body >100M ohms			Dielectric strength	Primary to body 5.2Kv		
	Secondary to body >100M ohms				Secondary to body 2.8Kv		
	Primary to secondary >100M ohms				Primary to secondary 5.2Kv		
Recommended fuse Protection	Max load <3000VA			BS88 &	10x38 gG IEC 60269-1 &-2 6A		
	Max load =>3000VA			BS88 10A	10x38 gG IEC 60269-1 &-2 8A		
Operational temperature range	-20°C to +60°C			Humidity	Up to 100% RH		
Altitude	<2000 metres above sea level			Issue 4	01/08/2013		



Primary Terminals
0.5-10mm² cable

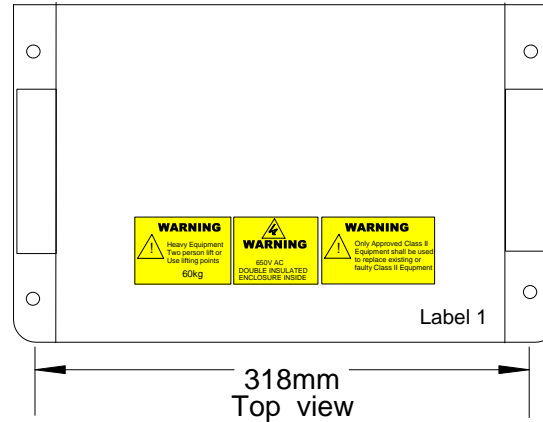
Secondary Terminals
0.5-10mm² cable

Functional Earth
0.5-10mm² cable

70mm

162mm

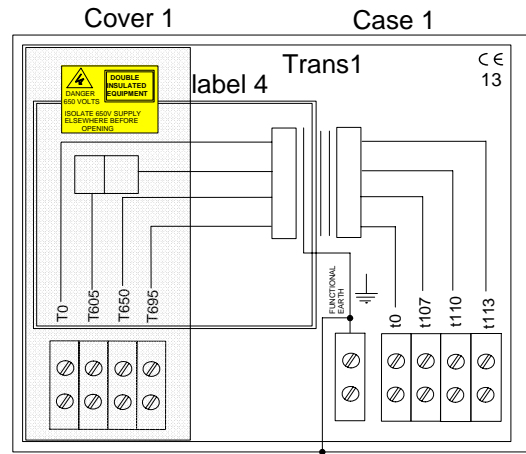
70mm



302mm

45

Gland holes
25mm dia
1 hole LHS
2 holes RHS

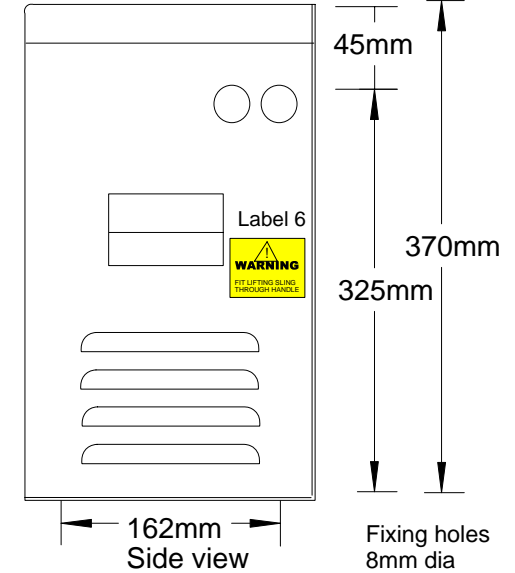
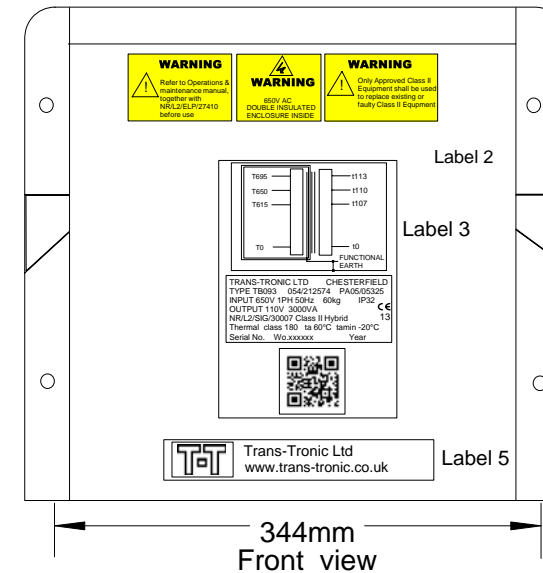


Combined
carrying handle
and lifting point

56mm

254mm

60mm



Item	Description	Part No.
Case 1	Transformer case	21-CASE-P6DG
Trans 1	650/110v 3000va classII	TT4209
Cover 1	P6class2 Poly carb	21-P6-COV1
Cover 2	P6 Mylar side cover	21-P6-COV2
Label 1	650VClassIIP6top	02-class2-650P6top
Label 2	650VClassIIP6front	02-Class2-650P6Front
Label 3	Circuit diagram + Rating plate	TB093 CD+RP
Label 4	650VClassII internal	02-class2-650int
Label 5	Trans-Tronic	02-trans-tronic
Label 6	Lifting warning	02-class2-lifting



Trans-Tronic Ltd Whitting Valley Road, Chesterfield, S41 9EY Tel: 01246 264260 Fax: 01246 455281			
TITLE GA drawing for ClassII Hybrid FSP Isolating transformer 650/110V 3000VA TB093 054/212574 PA05/05325			
SIZE A4	DATE 01/08/2013	DWG NO A4-TB093-GA	REV 5
SCALE NTS	SHEET 1 of 1		