



Certificate no. 4001132

TB207
PRODUCT DATA
054/212594
PA05/05325

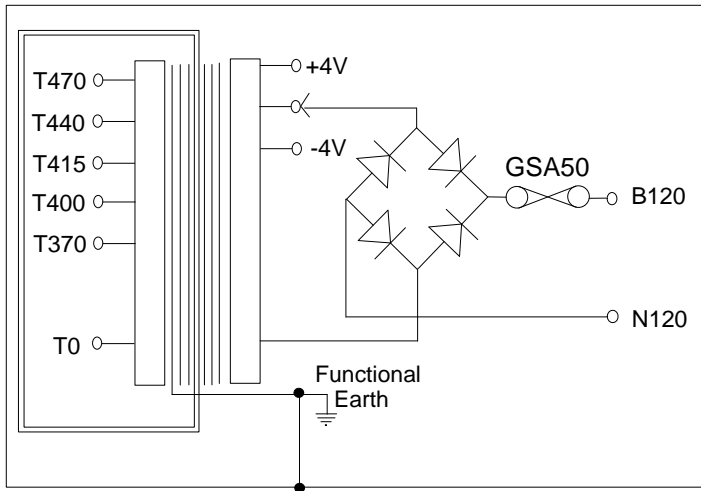
Whitting Valley Road, Old Whittington, Chesterfield, Derbyshire S41 9EY UK
 Telephone: +44 (0) 1246 264260 Fax: +44 (0) 1246 455281
 Web: www.trans-tronic.co.uk E mail: sales@trans-tronic.co.uk

COIL WINDING – TRANSFORMER DESIGN & MANUFACTURE

Description:	Class II Hybrid Transformer Rectifier for Point Machines NR/L2/SIG/30007 BR865 type B 440/120v @ 5A DC
--------------	---



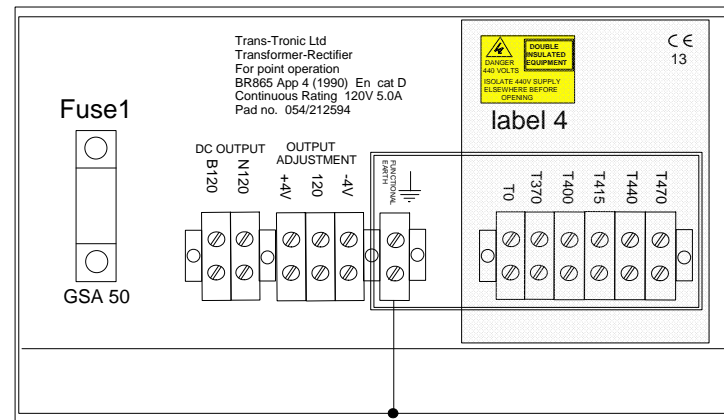
Dimensions	405x270x 200mm high	Weight	25Kg	Colour	BS381c shade 632 Dark Admiralty Grey
General arrangement drawing	GA-TB207 overleaf			O&M Manual:	Trans-Tronic ClassII-Hybrid Point machine Tj
Primary (Input) ClassII	T0-T370-T400-T415-T440-T470	Output ClassI	B120 N120 with ±4v taps 5A continuous		
Primary terminals	Screw up clamp 0.5 -6mm ²	Secondary terminals	Screw up clamp 0.5-10mm ²		
Functional earth	Screw up clamp 0.5-10mm ²	Enclosure	IP32		
Suitable for driving 2 x style 63 point motors , 2 x HW2xxx series, 2 x HPSS point motors 4 x clamp lock point motors , 1 x Hydrive point motor					
Primary resistance 2.0ohms @ 415V Primary Inductance 5.8mH		Secondary resistance 0.20 ohms Secondary Inductance 0.80mH			
Duty cycle 1 70A surge for 0.1 seconds 30A clutch slipping 0.4 seconds 20A Drive for 10 seconds Every 1 minutes		Duty cycle 2 70A surge for 0.1 seconds 40A clutch slipping 0.4 seconds 20A Drive for 10 seconds Every 2 minutes		Duty cycle 3 70A surge for 0.1 seconds 40A clutch slipping 0.4 seconds 24A Drive for 10 seconds Every 3 minutes	
Input currents at 400V 415V 440V 2.2A 2.0A 1.9A @ 5A Continuous Output 8.3A 8.0A 7.5A @ 20A Drive Output 16.6A 15.9A 15.0A @ 40A Clutch slipping Output			Output Voltage No load <134V 20A DC Output 120±2V 40A DC Output >110V		
Peak inrush current 9.2x FLC (74A at 415V)		I ² t 41 ² s		X/R ratio 0.51	
Insulation resistance (500v) Primary to body >100M ohms Secondary to body >100M ohms Primary to secondary >100M ohms		Dielectric strength Primary to body 4.8Kv Secondary to body 2.8Kv Primary to secondary 4.8Kv		Impulse withstand 8Kv	
Recommended fuse Protection BS88 & 10x38gG IEC 60269-1 & 2 10A					
Operational temperature range -20°C to +60°C		Humidity Up to 100% RH			
Altitude <2000 metres above sea level		Issue 3 01/08/2013			



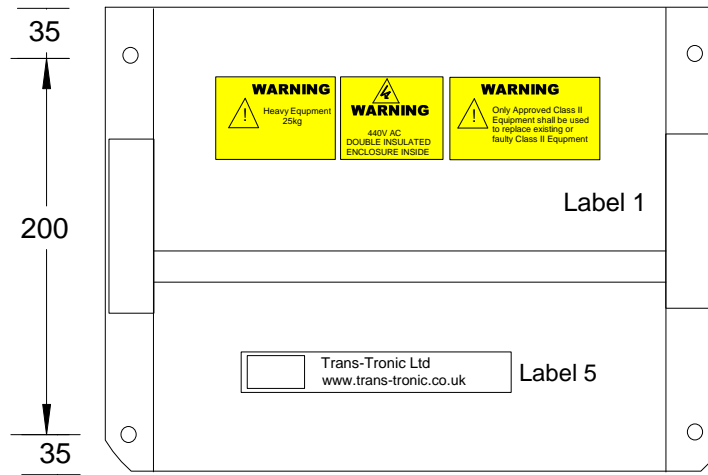
Case

Case 1

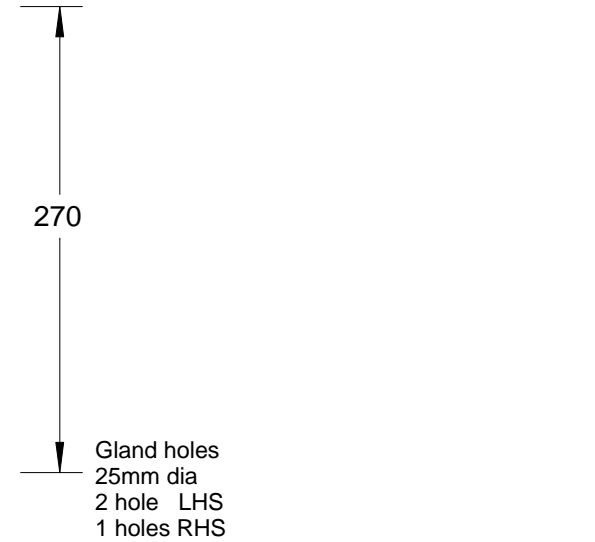
Cover 1



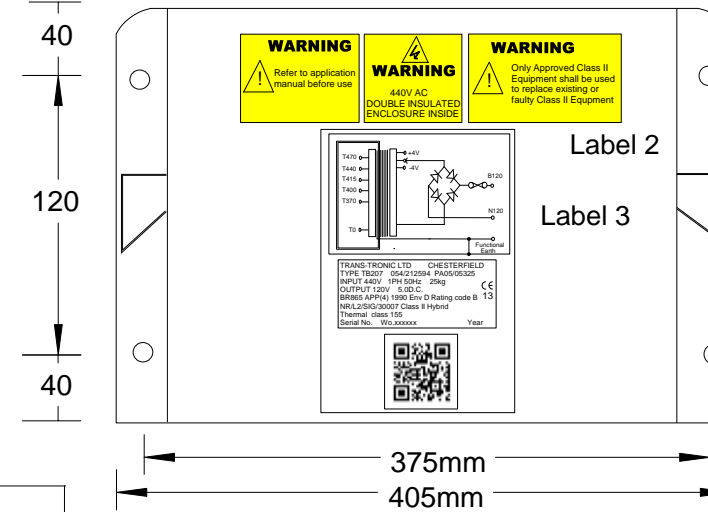
Internal view with case lid removed



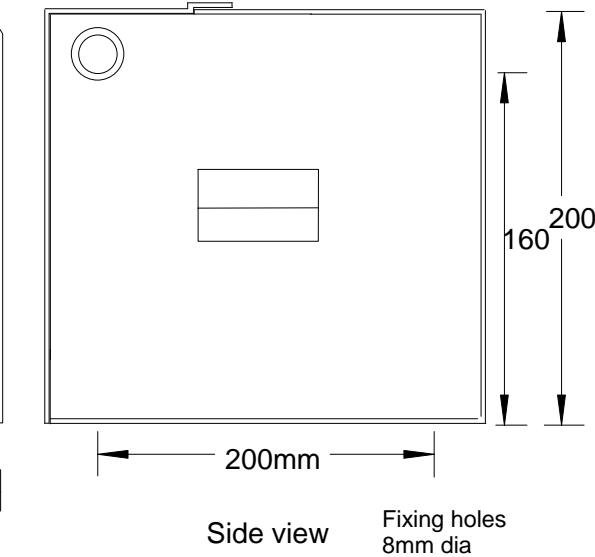
Top view



Gland holes
25mm dia
2 hole LHS
1 holes RHS



Front view



Side view

Fixing holes
8mm dia

Item	Description	Part No.
Case 1	Trans/Rect case	21-CASE-TR2DG
Trans 1	440/120v 5A classII	TT4488
Cover 1	TR2 Poly carb	21-TR2-COV1
Fuse1	Rectifier Fuse GSA50	01-50A-GSA
Label 1	440VClassIITR2top	02-class2-440TR2top
Label 2	440VClassIITR2 front	02-class2-440TR2Front
Label 3	Circuit diagram + Rating plate	TB207CD+RP
Label 4	440VClassII internal	02-class2-440int
Label 5	TRANS-TRONIC	02-Trans-Tronic

TT

Trans-Tronic Ltd
Whitting Valley Road, Chesterfield, S41 9EY
Tel: 01246 264260 Fax: 01246 455281

TITLE GA drawing for ClassII Hybrid points machine
440/120V @ 5A cont DC 054/212594 PA05/05325

SIZE A4	DATE 01/08/2013	DWG NO A4-TB207-GA	REV 3
SCALE NTS		SHEET 1 of 1	