

Certificate no. 4001132

TB166
PRODUCT DATA
054/212599
PA05/05325

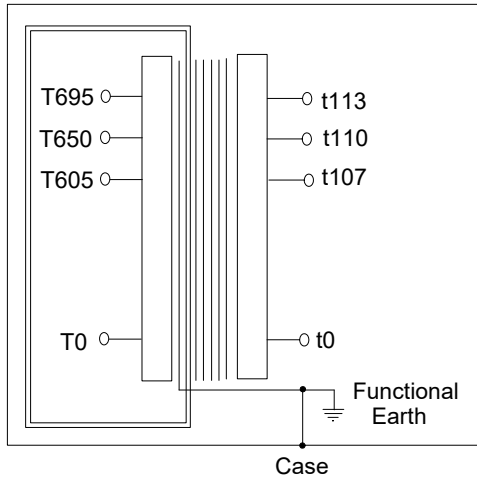
Whitting Valley Road, Old Whittington, Chesterfield, Derbyshire S41 9EY UK
 Telephone: +44 (0) 1246 264260 Fax: +44 (0) 1246 455281
 Web: www.trans-tronic.co.uk E mail: sales@trans-tronic.co.uk

COIL WINDING – TRANSFORMER DESIGN & MANUFACTURE

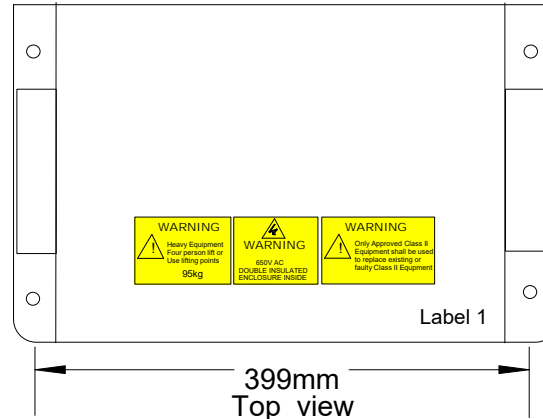
Class II Hybrid FSP Isolating Transformer with copper conductors
NR/L2/SIGELP/30007 650/110V 5000VA



Dimensions	440x334x 480mm high	Weight	95Kg	Colour	BS381c shade 632	Dark Admiralty Grey
General arrangement drawing :	GA-TB166 overleaf			O&M Manual :	Trans-Tronic ClassII-Hybrid-FSP- Tx O&M	
Primary (Input) ClassII	T0-T605-T650-T695			Secondary (output) ClassI	t0-t107-t110-t113	
Rating	Full load 5000VA Intermittent 6000VA for 15 minutes in each hour , 5000VA for remaining 45 minutes					
Primary terminals	Screw up clamp 0.5 -10mm ²			Secondary terminals	Screw up clamp 0.5-16mm ²	
Functional earth	Screw up clamp 0.5-16mm ²			IP32		
Efficiency	97%		Regulation	2.7%		Impedance 3.3%
No load losses	50 watts			Full load losses	180 watts	
Primary resistance @ 20°C	0.87 ohms @ 650V			Secondary resistance @ 20°C	0.040 ohms @ 110V	
Primary Inductance	5.0mH @ 650V			Secondary Inductance	0.15mH @ 110V	
Input current at full load	8.6A @ 605V 8.0A @ 650v 7.5A @ 695V			Output current at full load (5000VA)	45.5A	
Input current at 120% of full load (15 minutes in each hour)	10.3A @ 605V 9.6A @ 650v 8.9A @ 695V			Output current at 120% full load (6000VA)	54.5A	
Peak inrush current	9.3x FLC (74A at 650V)			I _{pt}	35 A ² s	
Prospective short circuit current @ 20°C				1200A for 5 seconds		
Insulation resistance (500v)	Primary to body >100M ohms			Dielectric strength	Primary to body 5.2Kv	
	Secondary to body >100M ohms				Secondary to body 2.8Kv	
	Primary to secondary >100M ohms				Primary to secondary 5.2Kv	
Recommended input fuse protection	Max load <5000VA			BS88 &	10x38 gG IEC 60269-1 &-2 10A	
	Max load =>5000VA			BS88	16A 10x38 gG IEC 60269-1 &-2 12A	
Operational temperature range	-20°C to +60°C			Humidity	Up to 100% RH	
Altitude	<2000 metres above sea level			Issue 2	15/02/2016	



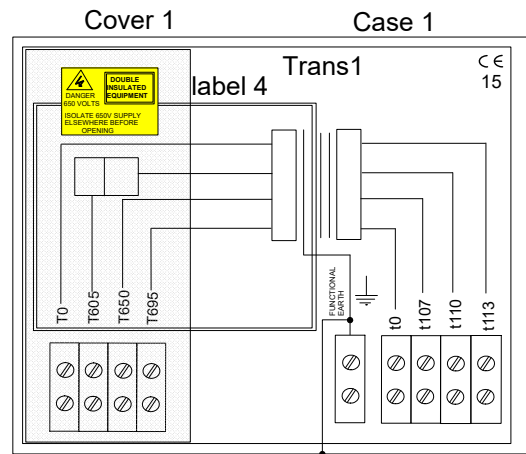
161mm



334mm

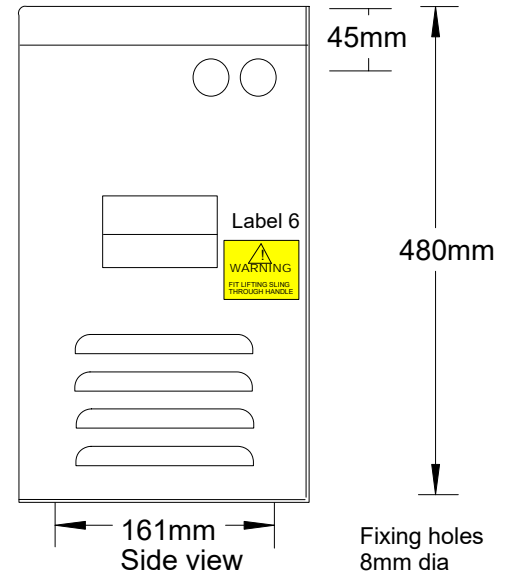
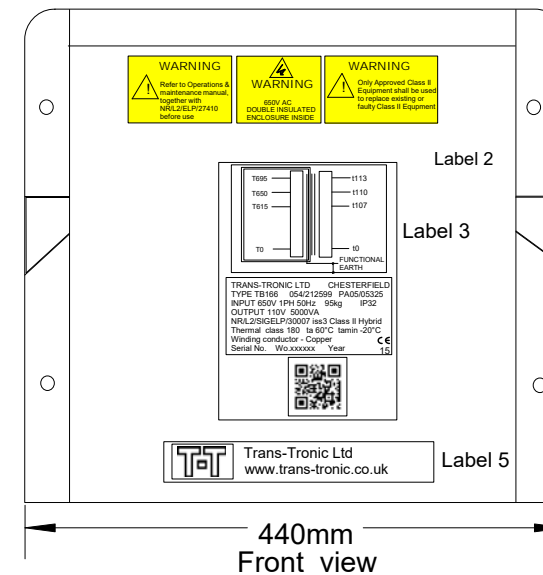
45

Gland holes
25mm dia
1 hole LHS
2 holes RHS



254mm

Combined
carrying handle
and lifting point



Internal view with case lid removed

Item	Description	Part No.
Case 1	Transformer case	21-CASE-P7DG
Trans 1	650/110v 5000va classII	TT4680
Cover 1	P7class2 Poly carb	21-P7-COV1
Cover 2	P7 Mylar side cover	21-P7-COV2
Label 1	650VClassIIP7top	02-class2-650P7top
Label 2	650VClassIIP7front	02-Class2-650P7Front
Label 3	Circuit diagram + Rating plate	TB166 CD+RP
Label 4	650VClassII internal	02-class2-650int
Label 5	Trans-Tronic	02-trans-tronic
Label 6	Lifting warning	02-class2-lifting



Trans-Tronic Ltd Whitting Valley Road, Chesterfield, S41 9EY Tel: 01246 264260 Fax: 01246 455281			
TITLE GA drawing for ClassII Hybrid FSP Isolating transformer 650/110V 5000VA TB166 054/212599 PA05/05325			
SIZE A4	DATE 10/02/2016	DWG NO A4-TB166-GA	REV 2
SCALE NTS	SHEET 1 of 1		