



Certificate no. 4001132

TB211
PRODUCT DATA
054/212598
PA05/05325

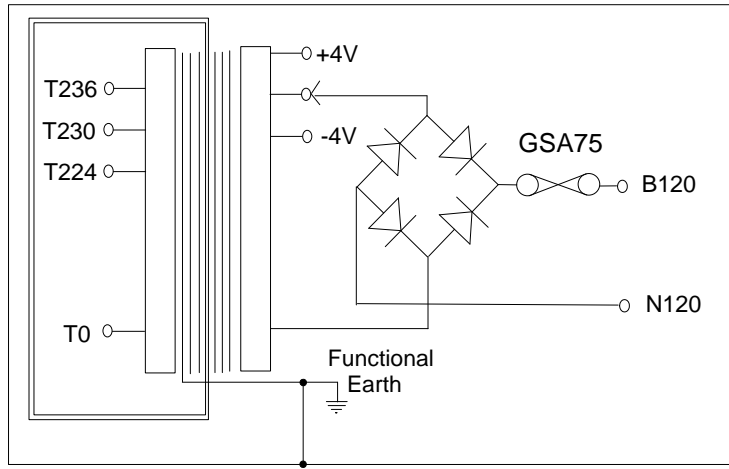
Whitting Valley Road, Old Whittington, Chesterfield, Derbyshire S41 9EY UK
 Telephone: +44 (0) 1246 264260 Fax: +44 (0) 1246 455281
 Web: www.trans-tronic.co.uk E mail: sales@trans-tronic.co.uk

COIL WINDING – TRANSFORMER DESIGN & MANUFACTURE

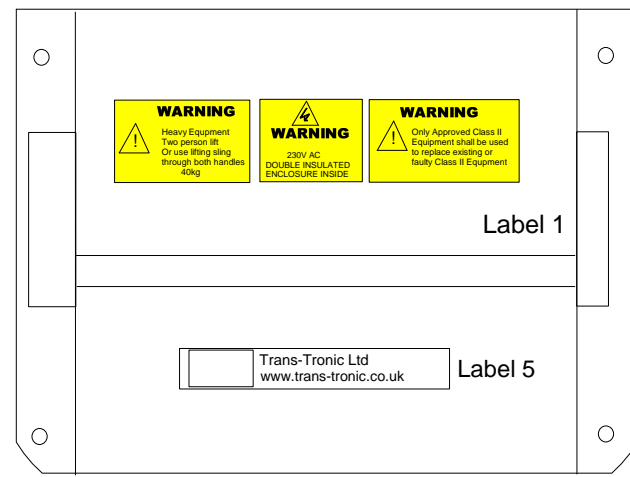
Description:	Class II Hybrid Transformer Rectifier for Point Machines NR/L2/SIG/30007 BR865 type C 230/120v @ 10A DC
--------------	--



Dimensions	420x290x 250mm high	Weight	40Kg	Colour	BS381c shade 632 Dark Admiralty Grey
General arrangement drawing	GA-TB211 overleaf			O&M Manual:	Trans-Tronic ClassII-Hybrid Point machine Tj
Primary (Input)	ClassII T0-T215-T230-T245		Output	ClassI B120 N120 with ±4v taps 10A continuous	
Primary terminals	Screw up clamp 0.5 -6mm ²		Secondary terminals	Screw up clamp 0.5-16mm ²	
Functional earth	Screw up clamp 0.5-16mm ²		Enclosure	IP32	
Suitable for driving 4 x style 63 point motors , 4 x HW2xxx series, 4 x HPSS point motors 8 x clamp lock point motors , 2 x Hydrive point motor					
Primary resistance 0.23ohms @ 230V Primary Inductance 1.3mH			Secondary resistance 0.09 ohms Secondary Inductance 0.52mH		
Duty cycle 1 140A surge for 0.1 seconds 60A clutch slipping 0.4 seconds 20A Drive for 10 seconds Every 1 minutes		Duty cycle 2 140A surge for 0.1 seconds 80A clutch slipping 0.4 seconds 40A Drive for 10 seconds Every 2 minutes		Duty cycle 3 140A surge for 0.1 seconds 80A clutch slipping 0.4 seconds 48A Drive for 10 seconds Every 3 minutes	
Input current at 230V 7.2A @ 10A Continuous Output 28.0A @ 40A Drive Output 56A @ 80A Clutch slipping Output			Output Voltage No load <134V 40A DC Output 120±2V 80A DC Output >110V		
Peak inrush current 9.3x FLC (260A at 230V)			I ² t	510A ² s X/R ratio 0.76	
Insulation resistance (500v) Primary to body >100M ohms Secondary to body >100M ohms Primary to secondary >100M ohms			Dielectric strength Primary to body 3.8Kv Secondary to body 2.8Kv Primary to secondary 3.8Kv		Impulse withstand 8Kv
Recommended fuse Protection BS88 & 10x38gG IEC 60269-1 & 2 32A					
Operational temperature range -20°C to +60°C			Humidity Up to 100% RH		
Altitude <2000 metres above sea level			Issue 3 01/08/2013		



35
220
35

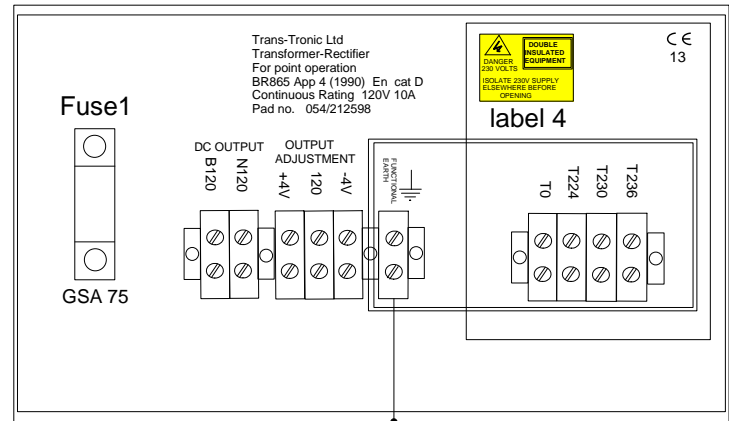


Top view

290

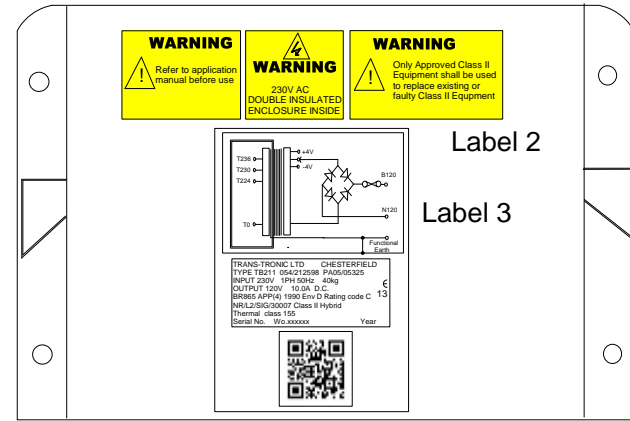
Gland holes
25mm dia
2 hole LHS
1 holes RHS

Case 1 Cover 1

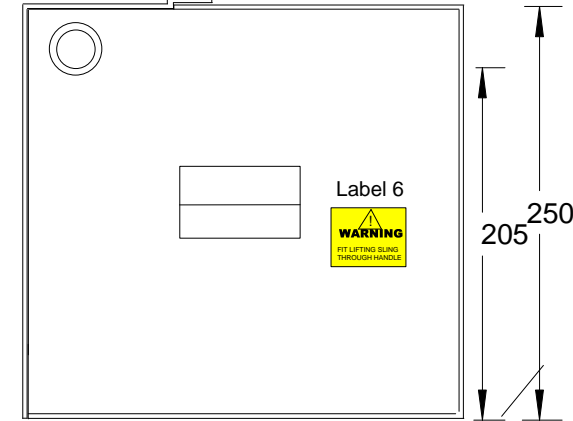


Internal view with case lid removed

40
170
40



390mm
420mm
Front view



260mm
250
205
Side view
Fixing holes
8mm dia

Item	Description	Part No.
Case 1	Trans/Rect case	21-CASE-TR3DG
Trans 1	230/120v 10A classII	TT4492
Cover 1	TR3 Poly carb	21-TR3-COV1
Fuse1	Rectifier Fuse GSA75	01-75A-GSA
Label 1	230VClassIITR3top	02-class2-230TR3top
Label 2	230VClassIITR3front	02-Class2-230TR3front
Label 3	Circuit diagram + Rating plate	TB211CD+RP
Label 4	230VClassII internal	02-class2-230int
Label 5	TRANS-TRONIC	02-Trans-Tronic
Label 6	Lifting warning	02-class2-lifting



Trans-Tronic Ltd Whitting Valley Road, Chesterfield, S41 9EY Tel: 01246 264260 Fax: 01246 455281			
TITLE GA drawing for ClassII Hybrid points machine 230/120V @ 10A cont DC 054/212598 PA05/05325			
SIZE A4	DATE 01/08/2013	DWG NO A4-TB211-GA	REV 4
SCALE		SHEET 1 of 1	